

# Installation Manual

U.S. Edition 2012 December



**Design support department**  
**Telephone hotline and**  
**technical project processing**  
Telephone: +1 855 572 4625  
[info@schock-us.com](mailto:info@schock-us.com)



**Seminars and on-site advice**  
Telephone: +1 855 572 4625  
[info@schock-us.com](mailto:info@schock-us.com)

© 2012 Schöck Bauteile GmbH  
All Rights Reserved

# Schöck Isokorb®

“No part of this document may be reproduced in any form (by printing photocopying, or other means) or processed duplicated, or circulated electronically without prior written approval of Schöck Bauteile GmbH.”

# Schöck Isokorb®

## Table of Contents

	<b>Page</b>
<b>Basic Safety Messages</b>	<b>4</b>
<b>Delivery &amp; Storage</b>	<b>5</b>
<b>Unpacking of Pallets</b>	<b>6 - 7</b>
<b>Handling &amp; Sorting</b>	<b>8</b>
<b>Temporary Storage</b>	<b>9</b>
<b>Installation</b>	<b>10 - 33</b>
Qualification of Personnel	10
Type Summary	11
Component Designations	12 - 13
Specific Installation Manuals	14 - 33
<b>Manufacturer's Limited Representations &amp; Warranties</b>	<b>34 - 35</b>
<b>General Terms &amp; Conditions</b>	<b>36 - 37</b>
<b>Index</b>	<b>38</b>

# Schöck Isokorb®

## Basic Safety Messages



- ▶ Read all instructions and safety messages first before unloading, unpacking, or installing.
- ▶ Refer also to local building codes for installation and safety requirements.
- ▶ Schöck Isokorb® must be installed by qualified personnel only.
- ▶ Follow generally the safety messages as listed below.



Hard hats required.



Protective glasses must be worn.



Safety shoes must be worn.



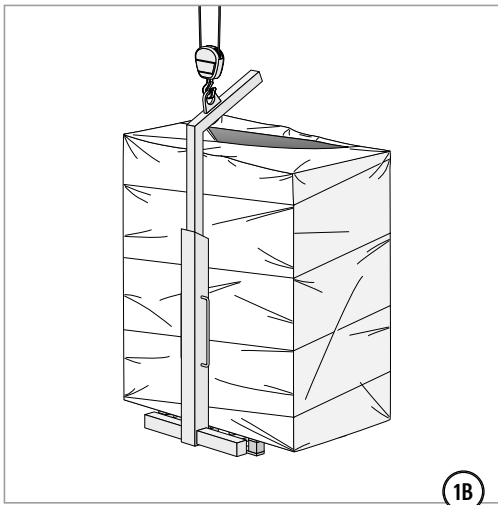
Protective gloves required.

# Schöck Isokorb®

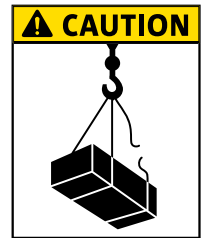
## Delivery & Storage



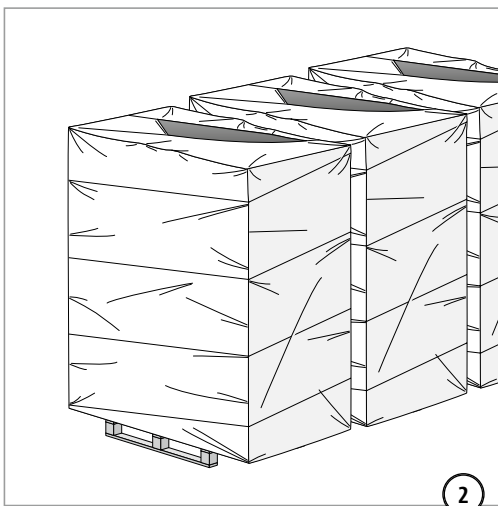
- ①
- ▶ Pallets must be unloaded by qualified staff only.
- ▶ Unload pallets properly with a suitable forklift (1A) or overhead crane (1B) to avoid falling or tipping over.



Stay away from under suspended loads.

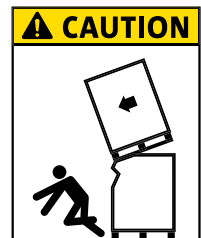


Place pallets on solid and horizontal ground only.

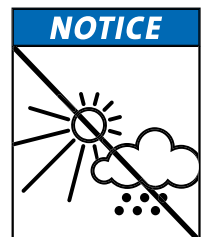


- ②
- ▶ Place several pallets side by side only.

Do not stack pallets.

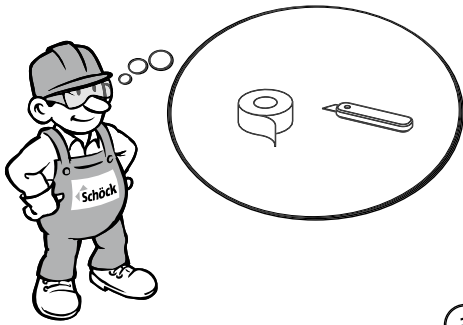


Pallets should not be exposed to constant moisture or direct sun light over an extended period of time.



# Schöck Isokorb®

## Unpacking of Pallets



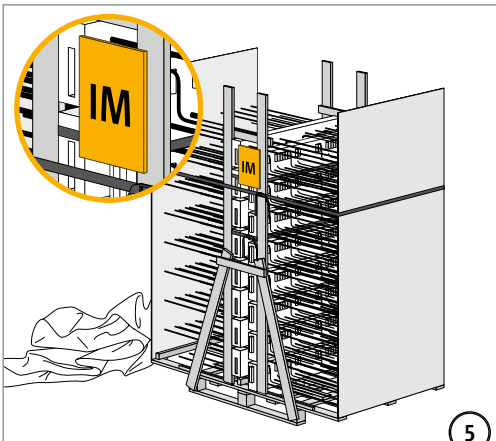
3

- ▶ Recommended tools.



4

- ▶ Ensure that the pallet is on stable ground before unpacking.
- ▶ Open the packaging foil on the side that is marked.
- ▶ Use an appropriate box cutter to remove the plastic cover.

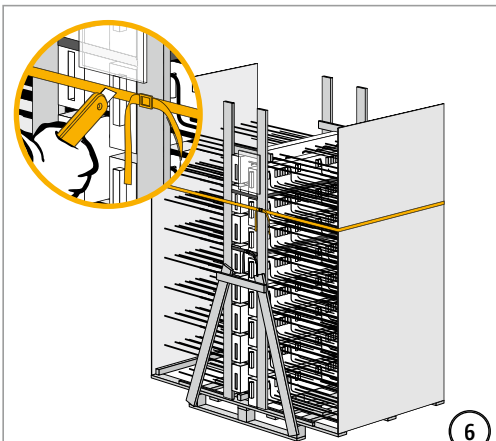


5

- ▶ **Choking and Asphyxiation Hazard by Packaging Foil.**



- ▶ Remove the entire packaging foil.
- ▶ Packaging Foil is Not a Toy! Keep Away from Children!
- ▶ Dispose the cover properly and safely. Keep out of the reach of children.
- ▶ Take the installation manual and follow the further instructions inside. Make it available to workers installing the Product.

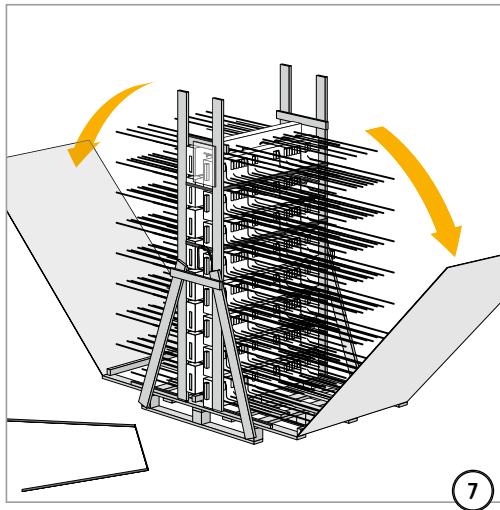


6

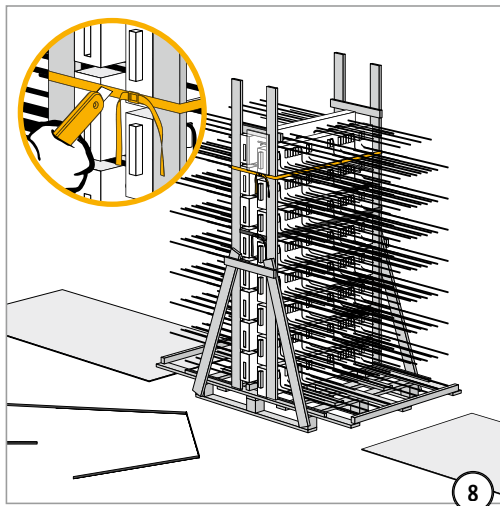
- ▶ Cut the outer strap which ties up the protective panels as pictured.

# Schöck Isokorb®

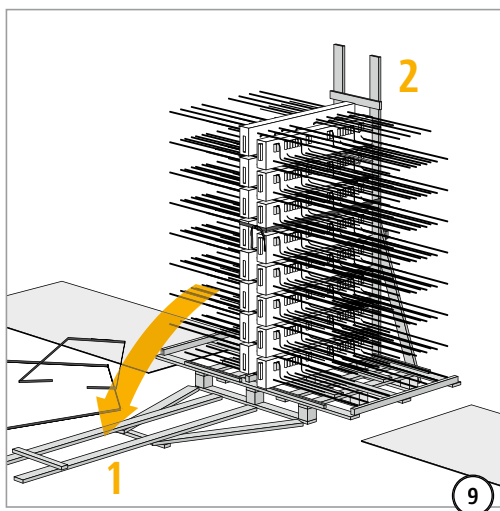
## Unpacking of Pallets



- ⑦ Remove the protective panels on both sides.
- ▶ Keep the protective panels for possible future use.



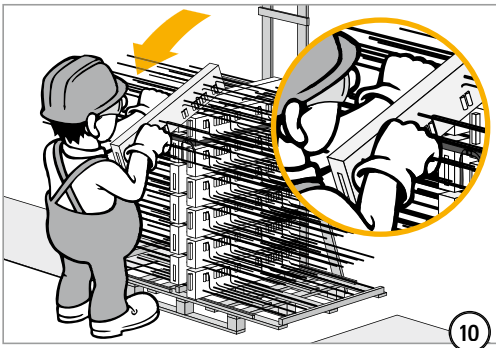
- ⑧ Cut upper strap as pictured only.
- ▶ Do not cut lower straps.



- ⑨ Remove wooden packing set 1 only.
- ▶ Leave wooden packing set 2 in its place.
- ▶ Leave lower strap to keep wooden packaging set 2 fixed upright until the products above are unloaded.

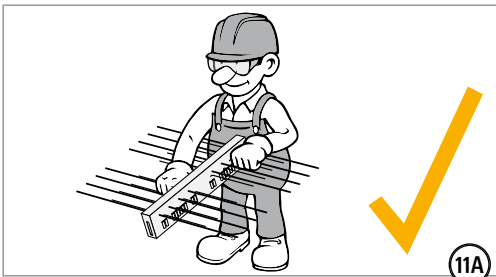
# Schöck Isokorb®

## Handling & Sorting



⑩

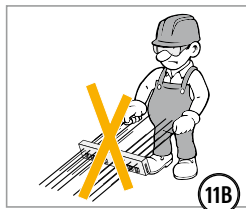
- ▶ Unload products separately only, and from top to bottom.
- ▶ The products are palletized by turns, meaning that every other Schöck Isokorb® is turned by 180°.
- ▶ A pallet may also hold different types of Schöck Isokorb®.
- ▶ The Schöck Isokorb® must be sorted by types according to the design drawings.



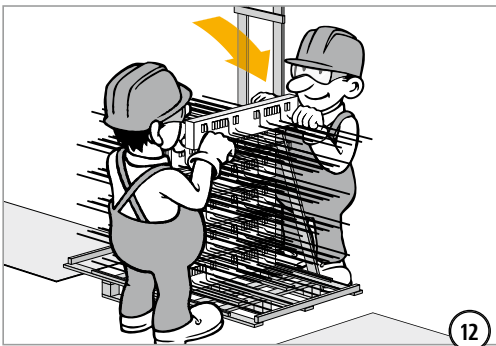
⑪

- ▶ Hold and lift the product with its rods transverse to your body only.
- ▶ Hold and lift the rods with your hands close to the insulation body.
- ▶ Do not hold the end of its rods towards your body.

Avoid contact with the unprotected end of the rods or with the sharp-edged weldseams.

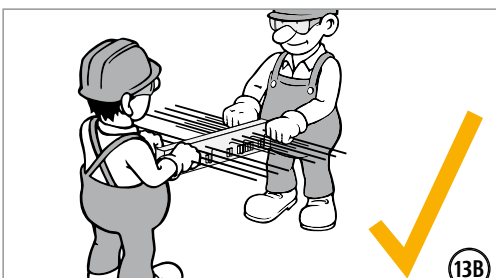


⑪B



⑫

- ▶ Unload sideways in the direction of the rods.



⑬

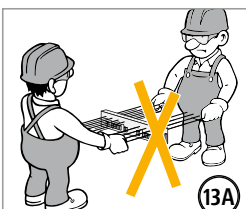
- ▶ Hold and lift the product with its rods transverse to your body only.
- ▶ Hold and lift the rods with your hands close to the insulation body.
- ▶ Do not hold the end of the rods towards your body.

If the product feels heavy, unload it together with a second person.



Lifting or holding the rods by the edges may cause damage.

Lift and hold the rods on both sides near the centre of the insulating body only.

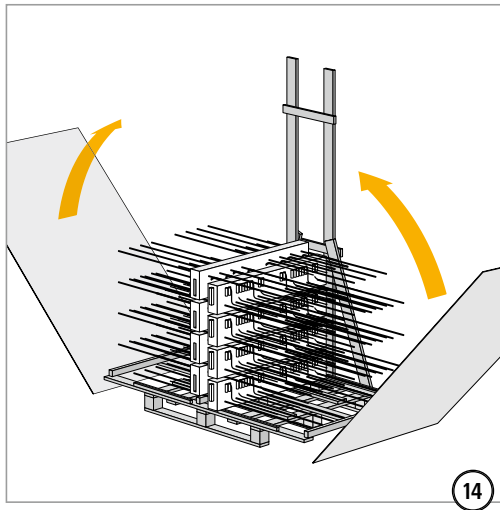


⑬A



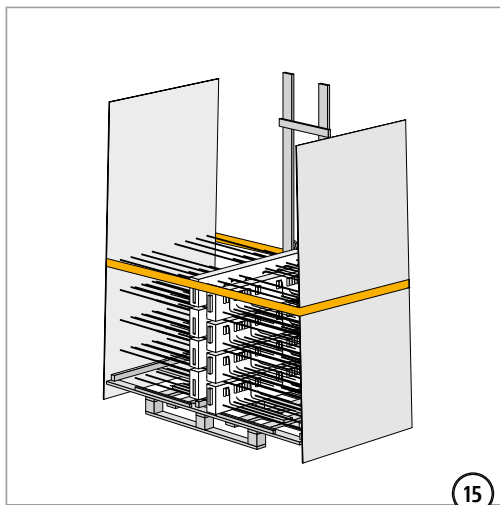
# Schöck Isokorb®

## Temporary Storage



⑭

- ▶ Place the protective panels on both sides of the sharp rod ends.
- ▶ If the protective panels are too tall, they can be shortened to fit.



⑮

- ▶ Ensure that the protective panels are properly held together. Use tape, straps, or other suitable means.

**Temporarily stored rods may have exposed ends.**

Cover the ends of the rods with protection board for temporary storage.

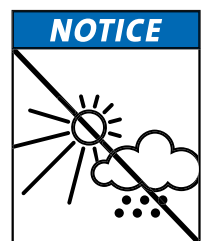


**Do not store the rods vertically.**

If vertical installation is required, the ends of the rods should be covered by a protective device as long as technically possible.



Pallets should not be exposed to constant moisture or direct sun light over an extended period of time.



# Schöck Isokorb® Installation

## Qualification of Personnel



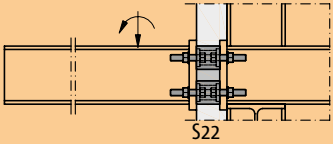
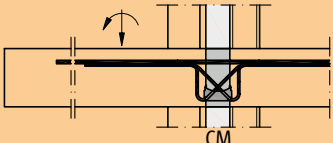
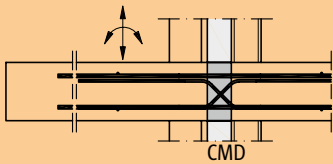
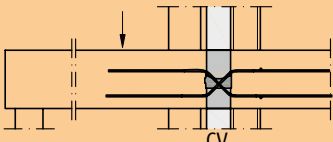
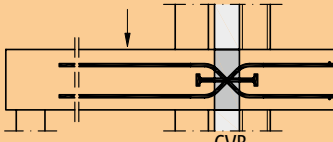
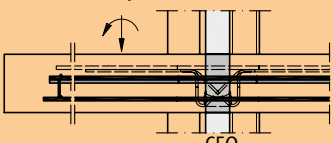
Installation is to be performed by properly trained and authorized personnel only.

Do not drink any alcohol or take any drugs before or during the installation and follow the safety instructions carefully.

Do not cut or bend any rebar of Schöck Isokorb® products.

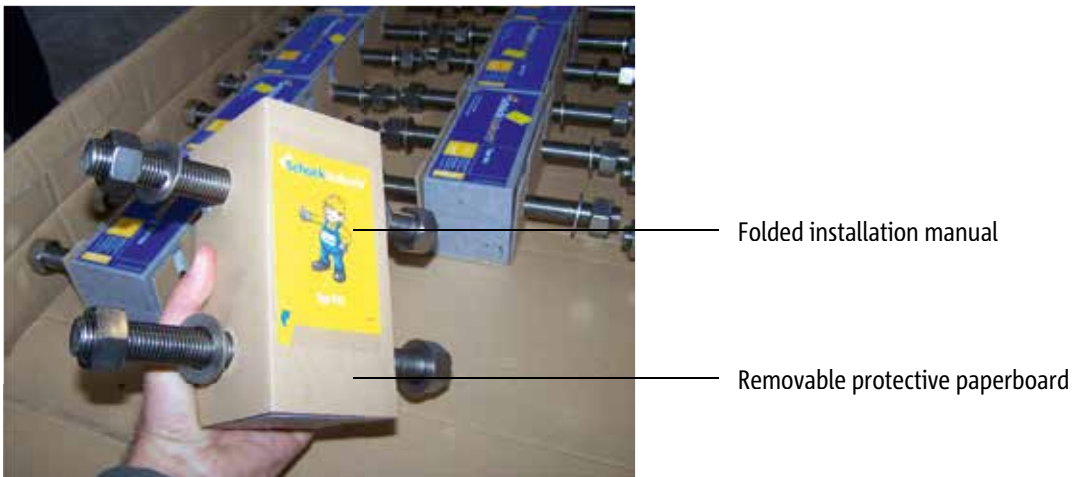
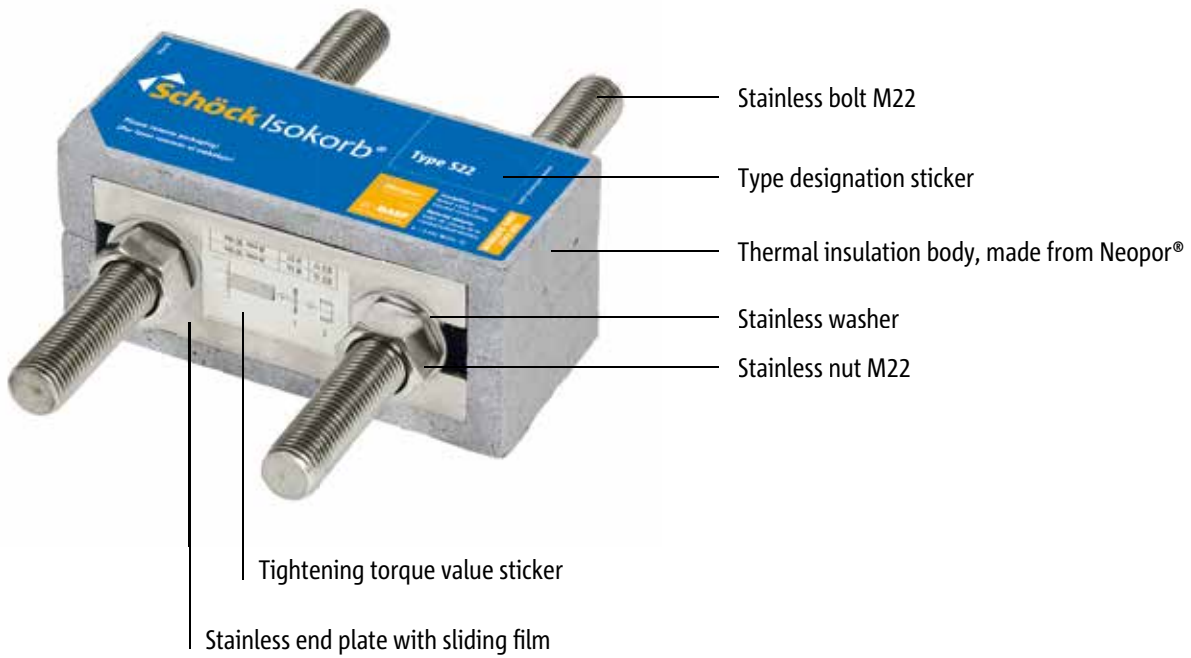
# Schöck Isokorb® Installation

## Type Summary

Schöck Isokorb® S-line (for Steel Beams)		Page
<b>Free Cantilevered Steel Structures</b>		
Type S22		
	Component Designations	12
	Specific Installation Manual	14
<b>Schöck Isokorb® C-line (for Concrete Slabs)</b>		
<b>Free Cantilevered Balconies</b>		
Type CM		
	Component Designations	13
	Specific Installation Manual	17
Type CMD for "run-through slabs"		
	Component Designations	13
	Specific Installation Manual	22
<b>Supported Balconies</b>		
Type CV		
	Component Designations	13
	Specific Installation Manual	26
Type CVB for punctual load peaks		
	Component Designations	13
	Specific Installation Manual	30
<b>Cantilevered Balconies with Seismic Loads</b>		
Type CEQ (use of CEQ only in interaction with the basic types)		
	Component Designations	13
	Specific Installation Manual	33

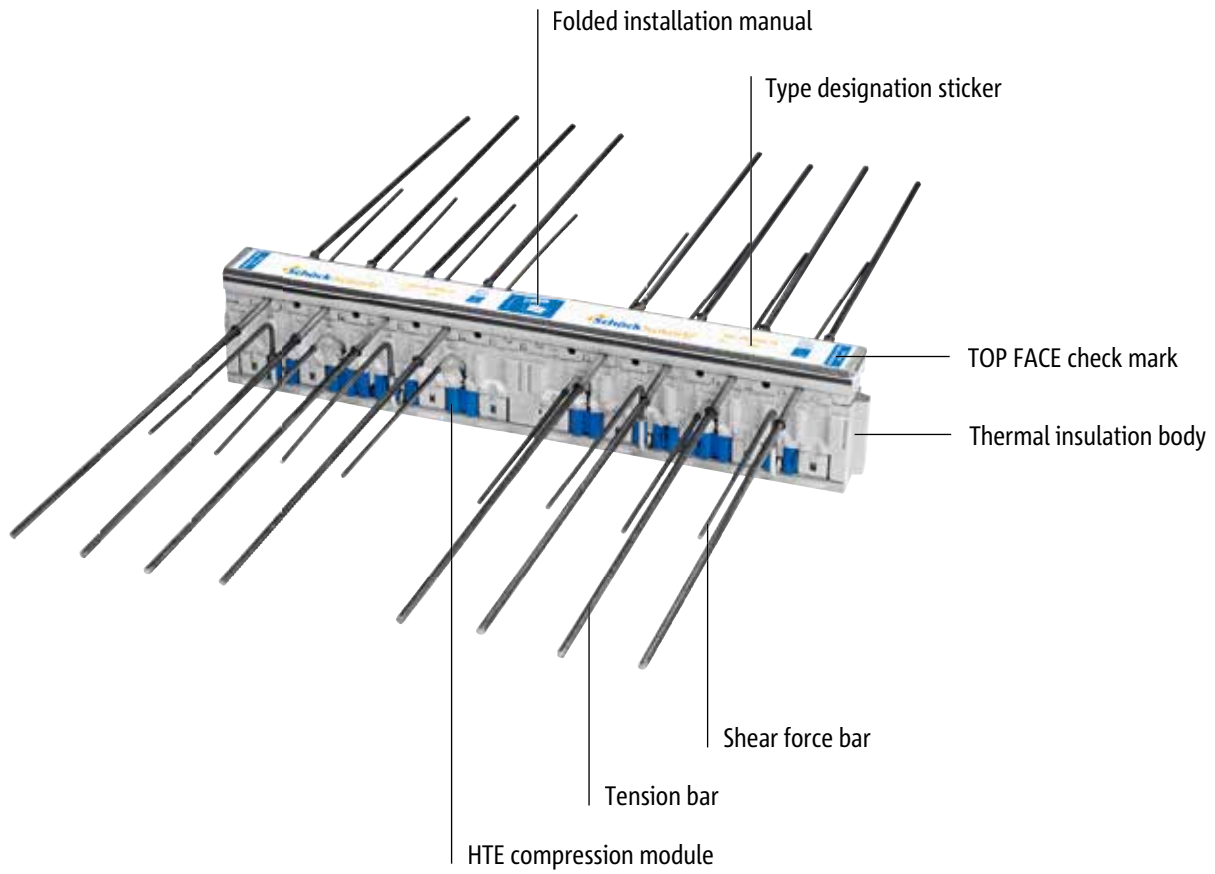
# Schöck Isokorb® Installation

## Component Designations S-line

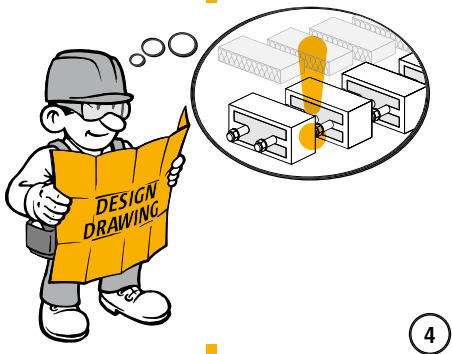
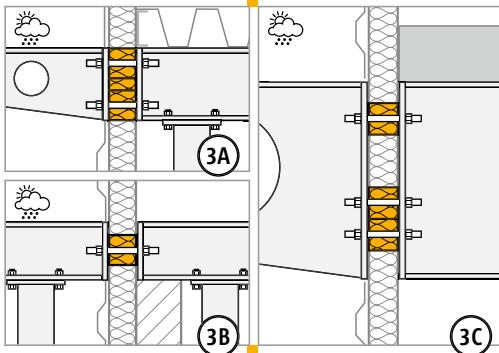
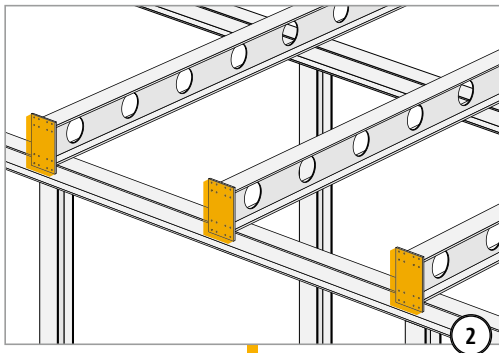
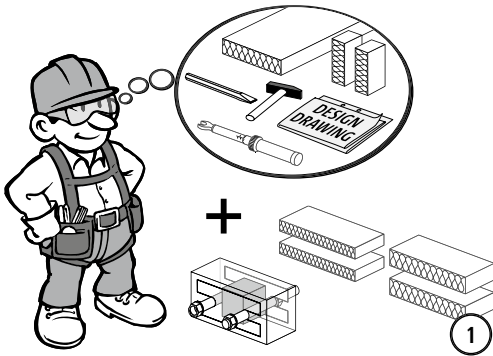


# Schöck Isokorb® Installation

## Component Designations C-line



# Schöck Isokorb® Type S22 Installation Manual



- ①
- ▶ Before installation, check products for conformity with purchase order and that no Isokorb parts are missing.
  - ▶ Check products for visible damages.
  - ▶ Check product for correct type conforming to the design drawings of the structural engineer.
  - ▶ Ensure that the materials required to install Schöck Isokorb® for the construction project are complete.

- ②
- ▶ Coloured areas shows the general positions for installing the products. Hew to the design drawing of the structural engineer for its definite position.

- ② + ③
- The pictures exemplify the general positions for installing the products within the insulation layer. Hew to the design drawing of the structural engineer for its definite position.  
Schöck Isokorb® Type S22 must be installed in accordance with the design drawings of the engineer only.

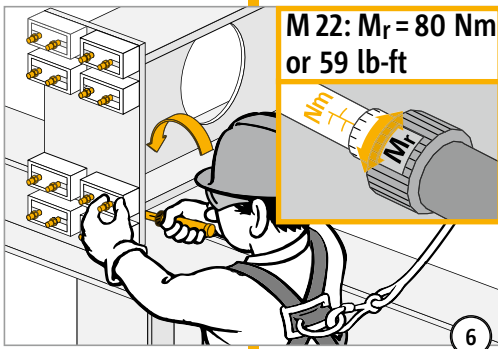
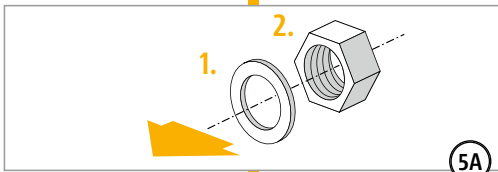
- ④ Based upon the design drawings of the engineer, ensure that all Schöck Isokorb® Type S22 and thermal insulation pieces are complete.

# Schöck Isokorb® Type S22 Installation Manual

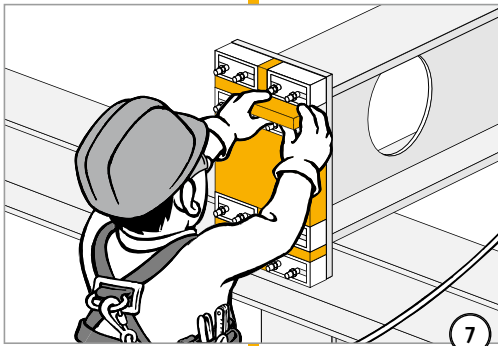


- ⑤ Install Schöck Isokorb® Type S22 according to the design drawings on the head plate of the steel beam within the building shell.

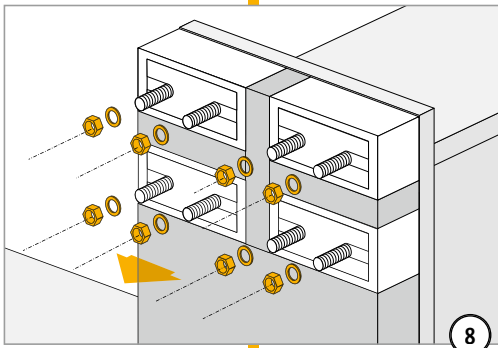
Fasten Schöck Isokorb® Type S22 with the washers and nuts delivered along with the product in the order as shown in the image 5A.



- ⑥ Use a torque wrench to tighten all nuts on the head plate according to the tightening torque predefined for the bolt as pictured.



- ⑦ Fit any additional thermal insulation pieces at the head plate of the steel beam between the insulation bodies of Schöck Isokorb® Type S22.

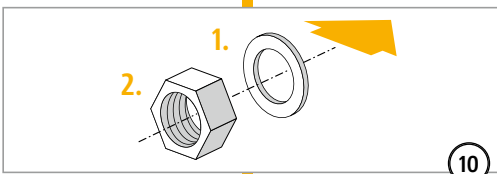


- ⑧ Remove and retain all pre-installed exterior nuts and washers before connecting the exterior steel beam.

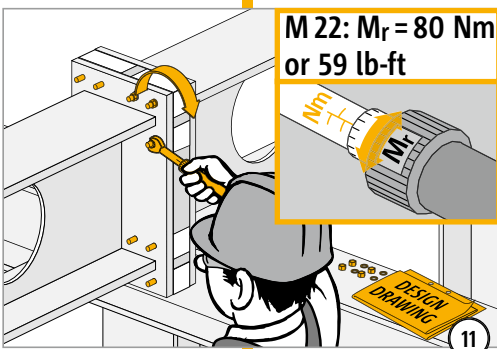
# Schöck Isokorb® Type S22 Installation Manual



- ⑨ Guide the exterior steel beam with the head plate towards the connection prepared with Schöck Isokorb® Type S22 and thermal insulation pieces. Position the exterior steel beam in a manner that prevents restraint when the Schöck Isokorb® bolts are fitted.



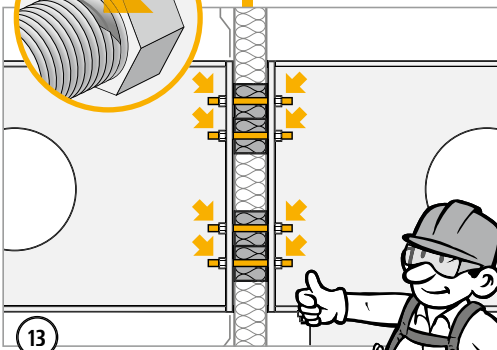
- ⑩ Fasten steel beams on the Schöck Isokorb® Type S22 with the delivered washers and nuts in the order as shown in the image.



- ⑪ Use a torque wrench to tighten all nuts on the head plate without systematic prestressing according to the tightening torque predefined for the bolt as pictured.



- ⑫ + ⑬ Check the alignment and tight fit of the steel beams for one final time and then deeply notch all bolts directly at the nut in order to ensure that all nuts remain in a frictional connection.

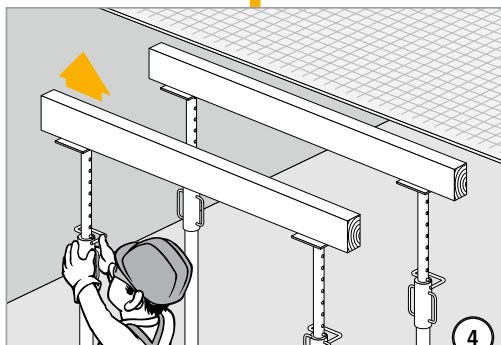
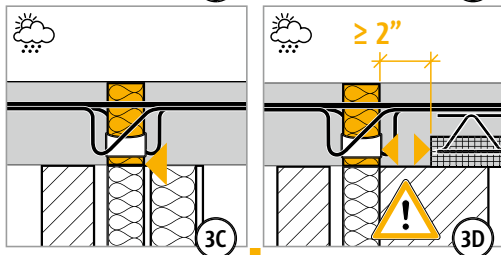
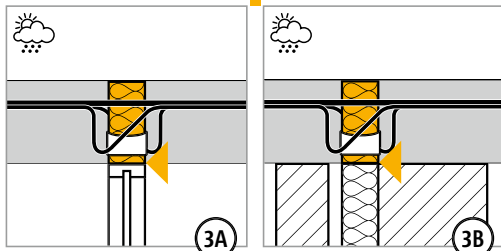
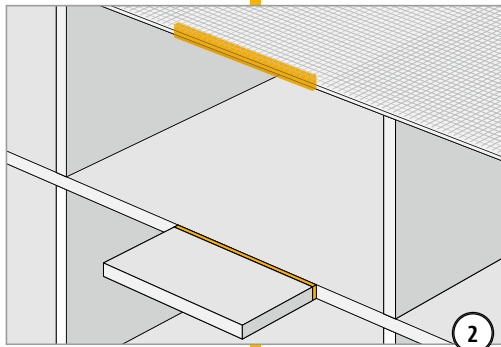
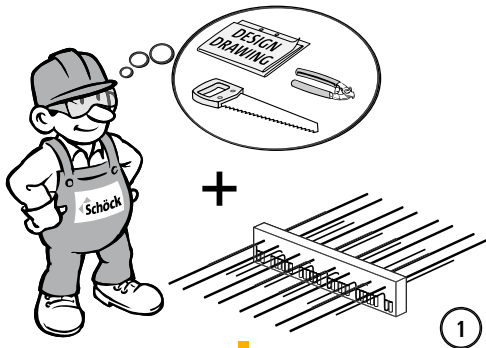


Use the included washers and nuts for Schöck Isokorb® Type S22 only.





# Schöck Isokorb® Type CM Installation Manual



① + ②

- ▶ Before installation, check products for conformity with purchase order and that no Isokorb parts are missing.
- ▶ Check products for visible damages.
- ▶ Check product for correct type conforming to the design drawings of the structural engineer.
- ▶ Ensure that the materials required to install Schöck Isokorb® for the construction project are complete.

②

- ▶ The picture exemplifies the general position for installing the products within the insulation layer. Hew to the design drawing of the structural engineer for its definite position.

③

- ▶ The pictures exemplify the general position for installing the products within the insulation layer. Hew to the design drawing of the structural engineer for its definite position. Schöck Isokorb® Type CM must be installed in accordance with the design drawing of the engineer only.

Image 3D: Installing of Schöck Isokorb® in touch with semi-finished ceiling component.

- ▶ Observe the pictured dimension for the pressure joint on the ceiling.
- ▶ Place a cast-in-place concrete strip between Schöck Isokorb® Type CM and the semi-finished ceiling component.
- ▶ The pressure joint must be filled and compacted properly when the concrete is placed.

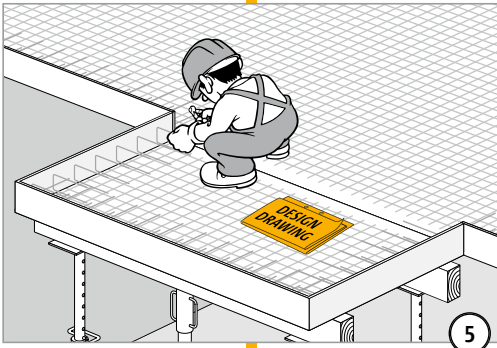
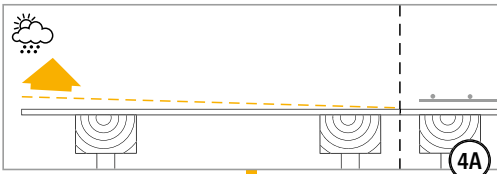
④

- ▶ Check the slope of the balcony formwork according to the technical specifications provided by the structural engineer.

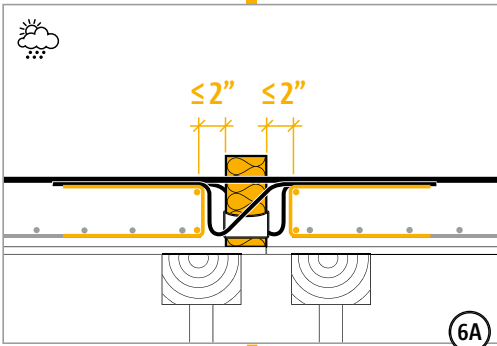
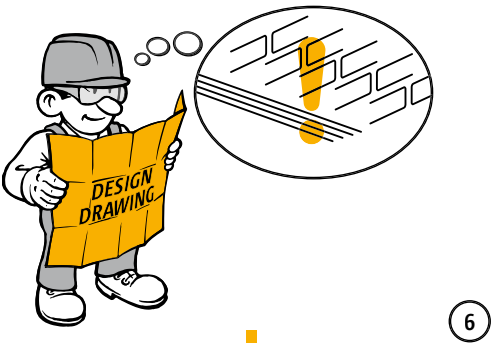
CM

# Schöck Isokorb® Type CM

## Installation Manual

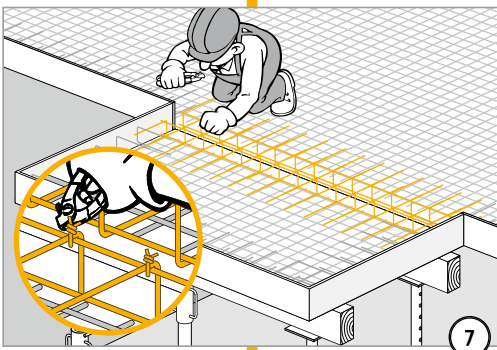


⑤ Install the lower slab reinforcement and edge brackets according to the reinforcement layout provided by the structural engineer.



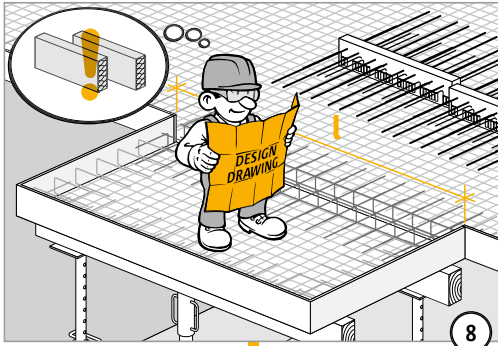
⑥ + ⑦

Install the connectors and longitudinal bars in the bracket corners along the Schöck Isokorb® Type CM. Select the bar size and the positioning of connectors and longitudinal bars as defined by the structural engineer, . If the bar size is not defined higher, select at least a minimum size of #3. Install the connectors close to the tension bars of Schöck Isokorb® Type CM.



CM

# Schöck Isokorb® Type CM Installation Manual



- ⑧ Install Schöck Isokorb® Type CM as a full element (3'-3 3/8") or a half element (19 5/8") only!, and in accordance with the design drawing of the structural engineer.

Do not use an angle grinder for cutting a full element into half elements.

Image 8A: In the event that half of the length of a Schöck Isokorb® Type CM is being fitted into a balcony, the remaining half can be used for other balconies of the same type and with the same load requirements.

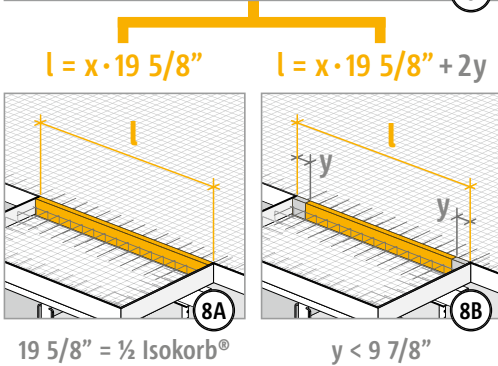
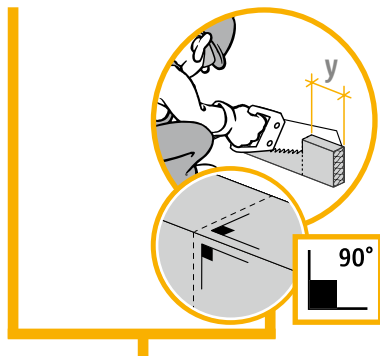


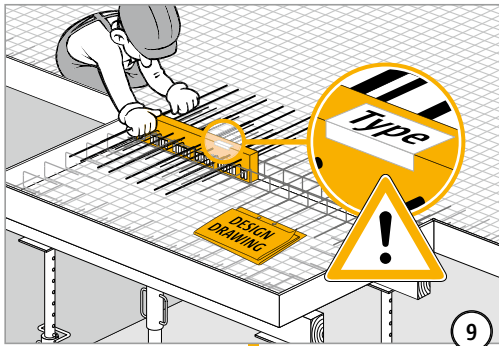
Image 8B: In the event that the Schöck Isokorb® Typ CM does not fit into the balcony, thermal insulation strips are required on site in addition to the Schöck Isokorb® Type CM. These thermal insulation strips must not exceed a length of 9 7/8". They may be installed at the edges of the balcony or between two Schöck Isokorb® Type CM, according to the design drawing of the structural engineer.

It is recommended to use thermal insulation strips with a thermal conductivity value 0.031 W/(m\*K) or lower, and with the same thickness as Schöck Isokorb® Type CM. Cut thermal insulation strips at a right angle on site.



CM

# Schöck Isokorb® Type CM Installation Manual



- ⑨ Before installing the Schöck Isokorb® Type CM, compare its entire type designation with the design drawing of the respective balcony.

**Hazard due to balcony slab not being properly supported!**

If the wrong type of Schöck Isokorb® is installed, the balcony slab could break off.

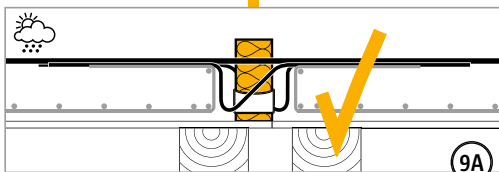


Image 9A: Schöck Isokorb® Type CM must be installed in "TOP FACE" up position. If this is done correctly the "TOP FACE" sign is visible from above, and the tension bars are arranged in the upper layer.

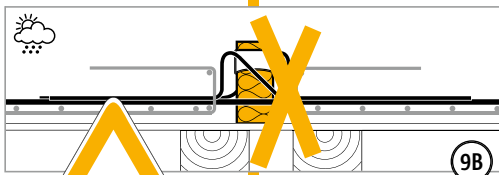
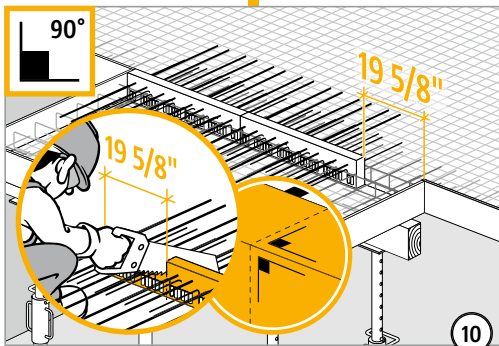
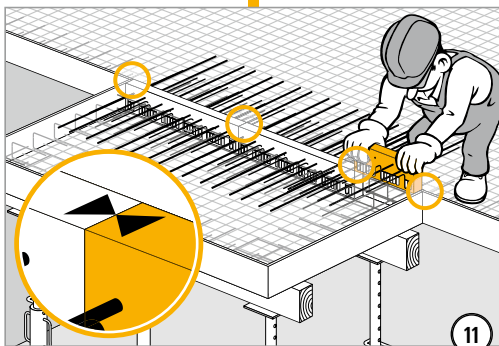


Image 9B: In case of the "Bottom" sign is visible from above, and the tension bars are arranged in the lower layer, the Schöck Isokorb® Type CM is installed falsely.



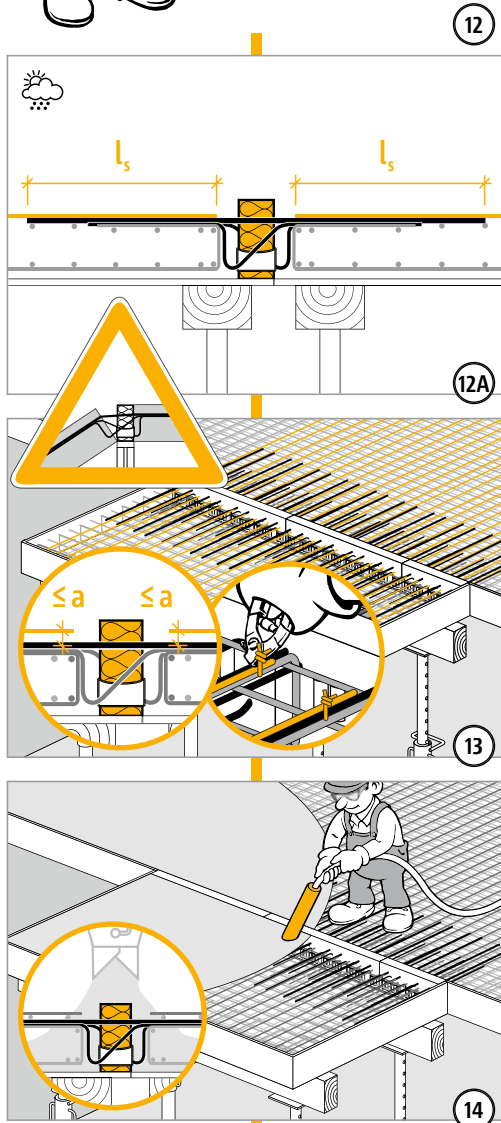
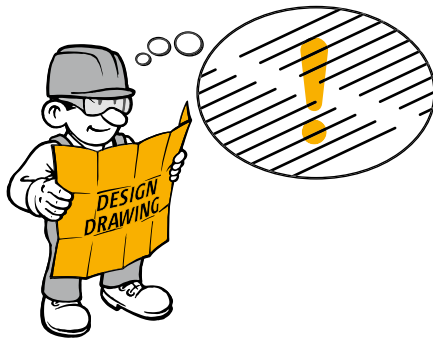
- ⑩ Install Schöck Isokorb® Type CM flush to each other and at the correct height. Schöck Isokorb® Type CM must be cut at a right angle and exactly at midlength.



- ⑪ All connection joints between Schöck Isokorb® Type CM components and adjacent thermal insulation strips or edge connections must be tight.

CM

# Schöck Isokorb® Type CM Installation Manual



- ⑫ Ensure that any overlapping reinforcement required in compliance with the design drawing of the structural engineer is available on site.

Image 12A: Install the required overlapping reinforcement on both sides of the Schöck Isokorb® Type CM with bar steel. If the bar size is not defined higher, select at least a minimum size of #3.

- ⑬ Properly connect the overlapping reinforcement with the Schöck Isokorb® tension bars on site. Maintain a  $\leq 0.2 \times l_s$  distance between the overlapping reinforcement and the Schöck Isokorb® Type CM tension bars as pictured.

- ⑭ Before placing the concrete, check for professional alignment of the Schöck Isokorb® Type CM and of the connecting reinforcement as well as the required concrete cover, in accordance with the design drawing of the structural engineer. To keep the Schöck Isokorb® component in place, ensure that the concrete is filled and compacted evenly on both sides.

If the Schöck Isokorb® type CM is installed, check the concrete for sufficient stability BEFORE removing the bracing from under the cantilevered balcony slab.

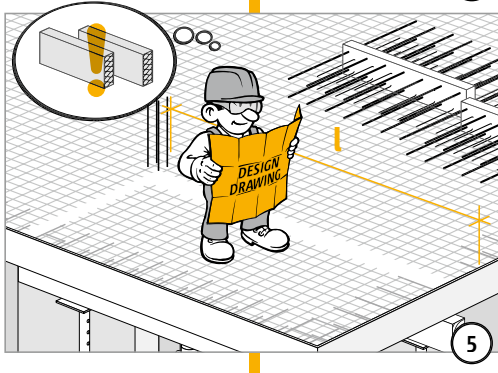
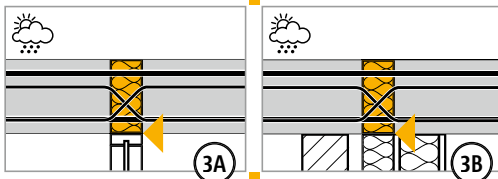
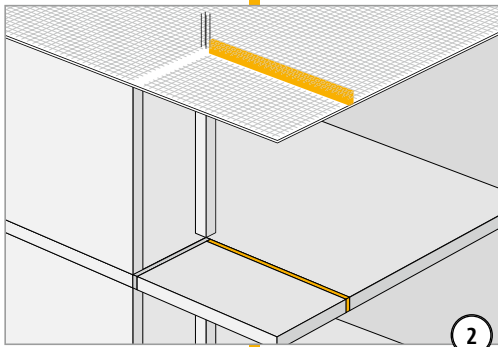
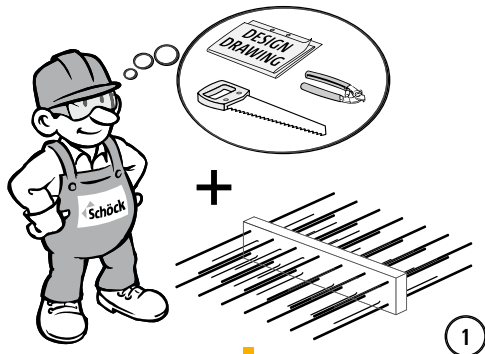
It is of the utmost importance that the concrete is checked for sufficient stability BEFORE the temporary bracing under the balcony slab is removed!

On-site modifications of the Isokorb impacts the safety of the product.



Do not modify the Schöck Isokorb® on site and do not cut or bent its rebars.

# Schöck Isokorb® Type CMD Installation Manual



① + ②

- ▶ Before installation, check products for conformity with purchase order.
- ▶ Check products for visible damages.
- ▶ Ensure that the materials required to install Schöck Isokorb® for the construction project are complete.

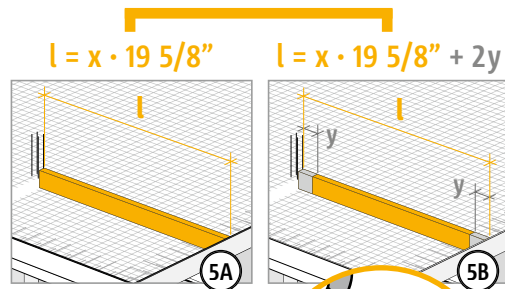
③ The pictures exemplify the general position for installing the products within the insulation layer. Refer to the design drawing of the structural engineer for its definite position. Schöck Isokorb® Type CMD must be installed in accordance with the design drawings of the engineer only.

④ Install the lower slab reinforcement and edge brackets according to the reinforcement layout provided by the structural engineer.

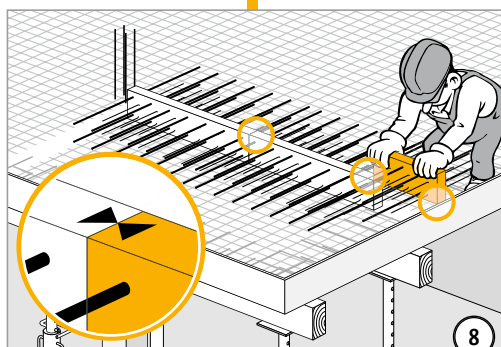
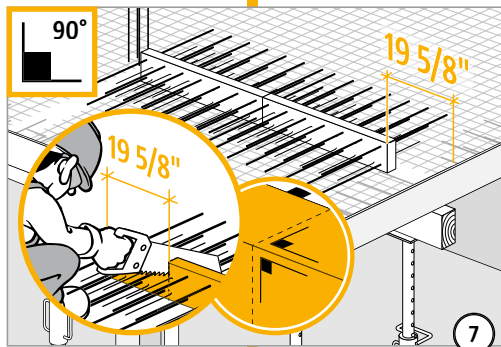
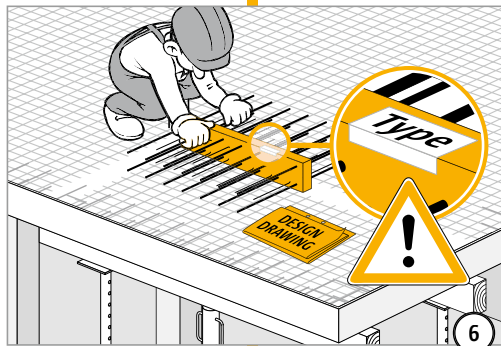
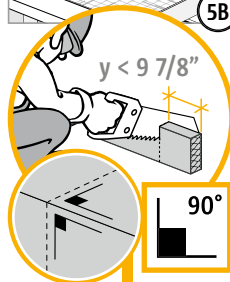
⑤ Install Schöck Isokorb® Type CMD as a full element (3'-3 3/8") or a half element (19 5/8") only, and in accordance with the design drawing of the structural engineer.

CMD

# Schöck Isokorb® Type CMD Installation Manual



$19 \frac{5}{8}'' = \frac{1}{2}$  Isokorb®



- ⑤ Image 5A: In the event that half of the length of a Schöck Isokorb® Type CMD is being fitted into a balcony, the remaining half can be used for other balconies of the same type and with the same load requirements.

Do not use an angle grinder for cutting a full element into half elements.

Image 5B: In the event that the Schöck Isokorb® Typ CMD does not fit into the balcony, thermal insulation strips are required on site in addition to the Schöck Isokorb® Type CMD. These thermal insulation strips must not exceed a length of  $9 \frac{7}{8}''$ . They may be installed at the edges of the balcony or between two Schöck Isokorb® Type CMD, according to the design drawing of the structural engineer. Use thermal insulation strips with a thermal conductivity value  $0.031 \text{ W}/(\text{m} \cdot \text{K})$  or lower, and with the same thickness as Schöck Isokorb® Type CMD. Cut thermal insulation strips at a right angle on site.

- ⑥ Before installing the Schöck Isokorb® Type CMD, compare its entire type designation with the design drawing of the respective balcony.

**Hazard due to balcony slab not being properly supported!**

If the wrong type of Schöck Isokorb® is installed, the balcony slab could break off.

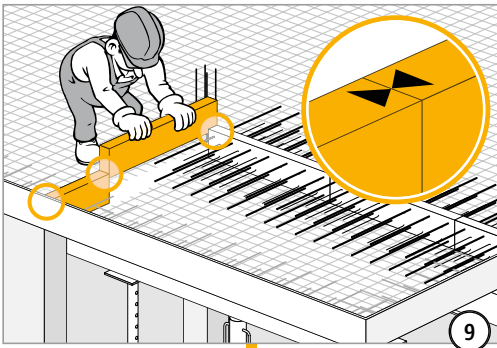


- ⑦ Install Schöck Isokorb® Type CMD flush to each other and at the correct height. Schöck Isokorb® Type CMD must be cut at a right angle and exactly at midlength.

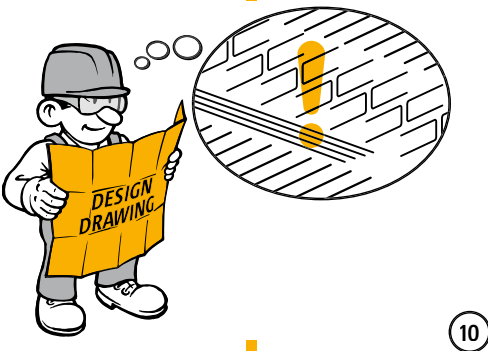
- ⑧ All connection joints between Schöck Isokorb® Type CMD components and adjacent thermal insulation strips or edge connections must be tight.

# Schöck Isokorb® Type CMD

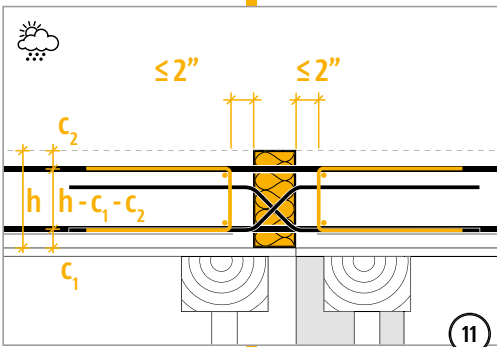
## Installation Manual



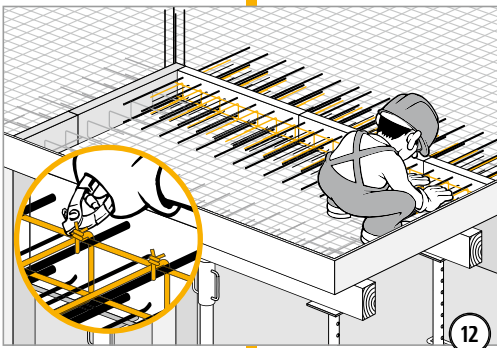
- ⑨ Install the thermal insulation strips on site according to the design drawing. Joints between the thermal insulation strips and at the edge connections must be tight.



- ⑩ Ensure that any additional reinforcement required in compliance with the design drawing of the structural engineer is available on site.



- ⑪ Install the connectors and longitudinal bars in the bracket corners along the Schöck Isokorb® Type CMD. Select the bar size and the positioning of connectors and longitudinal bars as defined by the structural engineer. If the bar size is not defined higher, select at least a minimum size of #3. Install the connectors with a spacing toward the Schöck Isokorb® Type CMD as pictured.



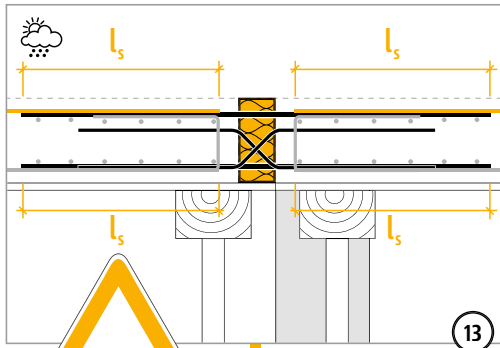
- ⑫ Properly connect the reinforcement with Schöck Isokorb® tension bars on site.

CMD

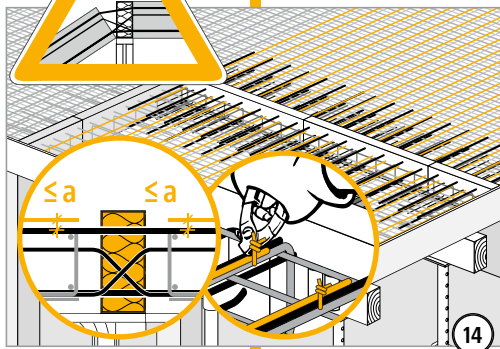


# Schöck Isokorb® Type CMD

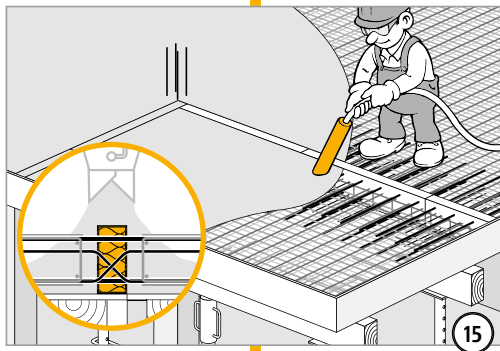
## Installation Manual



- ⑬ Install the required overlapping reinforcement on both sides of the Schöck Isokorb® Type CMD with bar steel. If the bar size is not defined higher, select at least a minimum size of #3.



- ⑭ Properly connect the overlapping reinforcement with the Schöck Isokorb® tension bars on site.  
Maintain a  $\leq 0.2 \times l_s$  distance between the overlapping reinforcement and the Schöck Isokorb® Type CMD tension bars as pictured.



- ⑮ Before placing the concrete, check for professional alignment of the Schöck Isokorb® Type CMD and of the connecting reinforcement as well as the required concrete cover, in accordance with the design drawing of the structural engineer.  
To keep the Schöck Isokorb® component in place, ensure that the concrete is filled and compacted evenly on both sides.

If the Schöck Isokorb® type CMD is installed, check the concrete for sufficient stability BEFORE removing the bracing from under the cantilevered balcony slab.



It is of the utmost importance that the concrete is checked for sufficient stability BEFORE the temporary bracing under the balcony slab is removed!

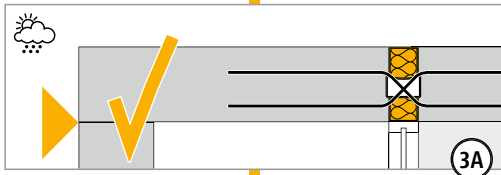
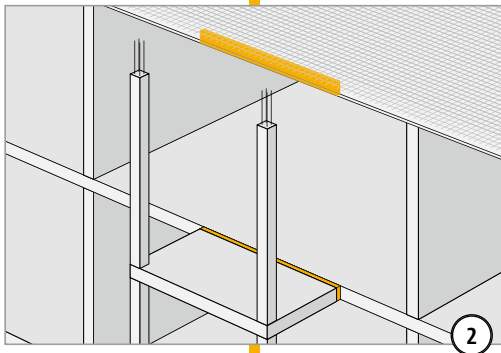
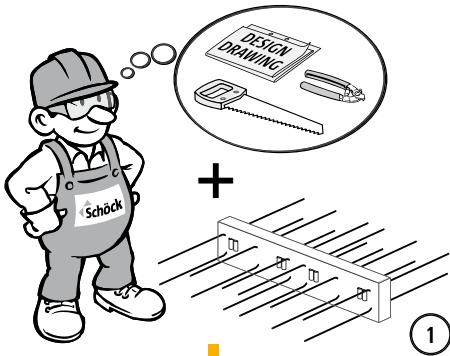
On-site modifications of the Isokorb impacts the safety of the product.



Do not modify the Schöck Isokorb® on site and do not cut or bent its rebars.

CMD

# Schöck Isokorb® Type CV Installation Manual



① + ②

- ▶ Before installation, check products for conformity with purchase order.
- ▶ Check products for visible damages.
- ▶ Ensure that the materials required to install Schöck Isokorb® for the construction project are complete.

③ The following installation guidelines must be observed!

Image 3A: Schöck Isokorb® Type CV must be installed in SUPPORTED balcony structures only. Keep the end of the balcony slab supported AT ALL TIMES during construction of the balcony but also in its final state.

**Hazard due to balcony slab not being properly supported!**

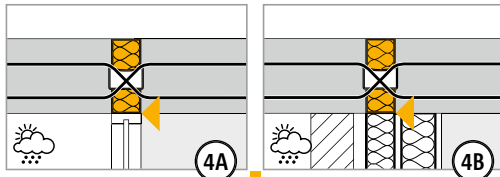
If Schöck Isokorb® type CV is used for free cantilevered balcony structures, the balcony slab will break off.

For free cantilevered balcony structures, use Schöck Isokorb® type CM or type CMD only.

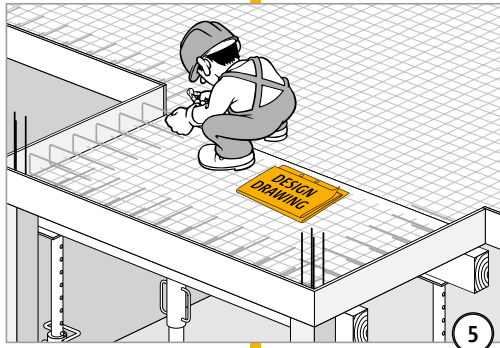


CV

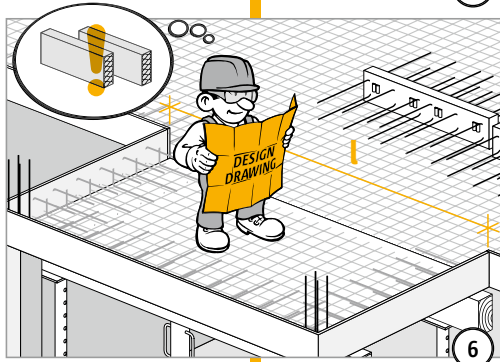
# Schöck Isokorb® Type CV Installation Manual



④ Schöck Isokorb® Type CV must be installed in accordance with the design drawings of the engineer only.



⑤ Install the lower slab reinforcement and edge brackets according to the reinforcement layout provided by the structural engineer.



⑥ Install Schöck Isokorb® Type CV as a full element (3'-3 3/8") or a half element (19 5/8") only, and in accordance with the design drawing of the structural engineer.

Image 6A: In the event that half of the length of a Schöck Isokorb® Type CV is being fitted into a balcony, the remaining half can be used for other balconies of the same type and with the same load requirements.

Do not use an angle grinder for cutting a full element into half elements.

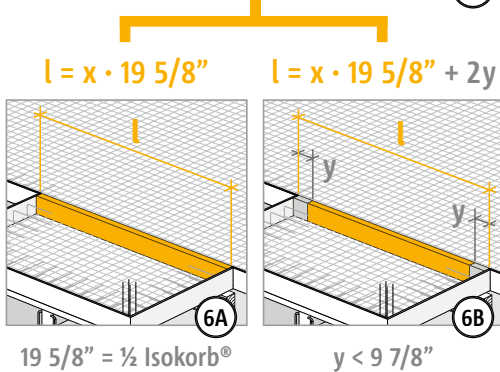
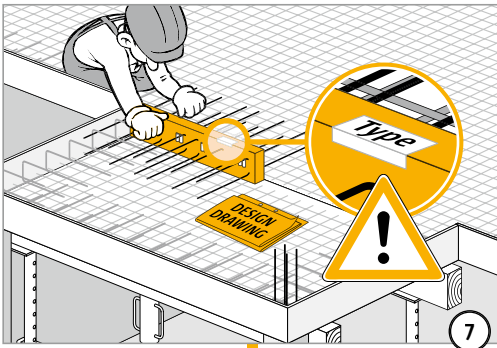


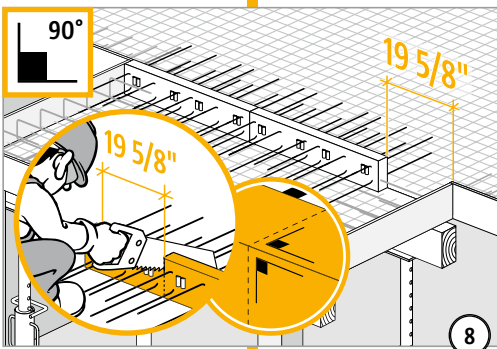
Image 6B: In the event that the Schöck Isokorb® Typ CV does not fit into the balcony, thermal insulation strips are required on site in addition to the Schöck Isokorb® Type CV. These thermal insulation strips must not exceed a length of 9 7/8". They may be installed at the edges of the balcony or between two Schöck Isokorb® Type CV, according to the design drawing of the structural engineer.

Use thermal insulation strips with a thermal conductivity value 0.031 W/(m\*K) or lower, and with the same thickness as Schöck Isokorb® Type CV. Cut thermal insulation strips at a right angle on site. Cut thermal insulation strips at a right angle on site.

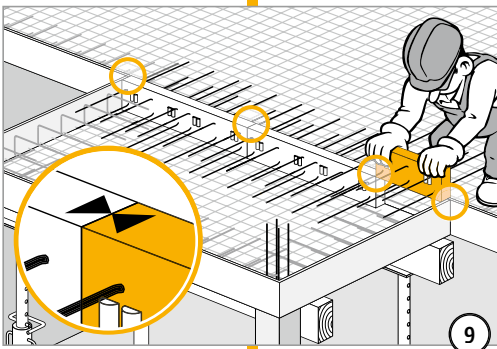
# Schöck Isokorb® Type CV Installation Manual



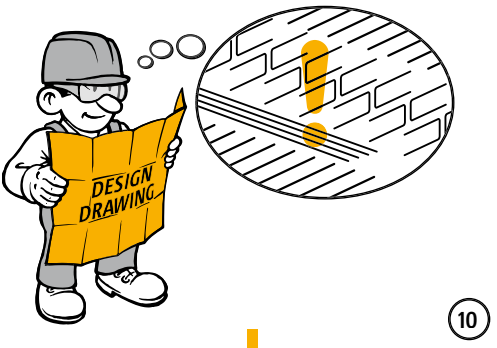
- ⑦ Before installing the Schöck Isokorb® Type CV, compare its entire type designation with the design drawing of the respective balcony.



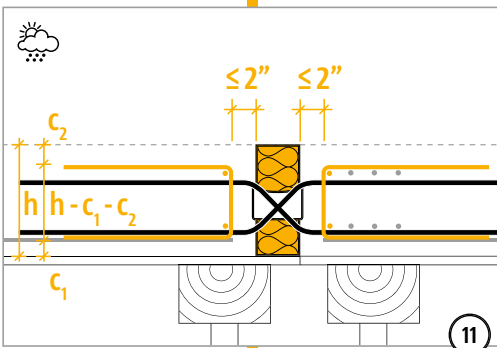
- ⑧ Install Schöck Isokorb® Type CV flush to each other and at the correct height. Schöck Isokorb® Type CV must be cut at a right angle and exactly at midlength.



- ⑨ All connection joints between Schöck Isokorb® Type CV components and adjacent thermal insulation strips or edge connections must be tight.

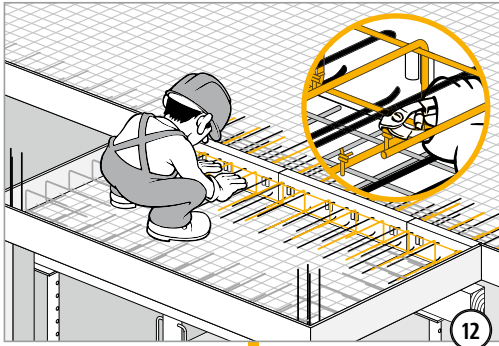


- ⑩ Ensure that any additional reinforcement required in compliance with the design drawing of the structural engineer is available on site.

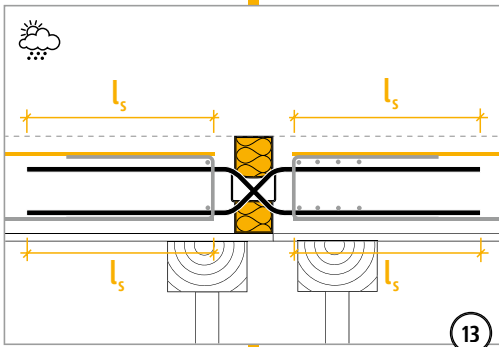


- ⑪ Install the connectors and longitudinal bars in the bracket corners along the Schöck Isokorb® Type CV. Select the bar size and the positioning of connectors and longitudinal bars as defined by the structural engineer. If the bar size is not defined higher, select at least a minimum size of #3. Install the connectors with a spacing toward the Schöck Isokorb® Type CV as pictured.

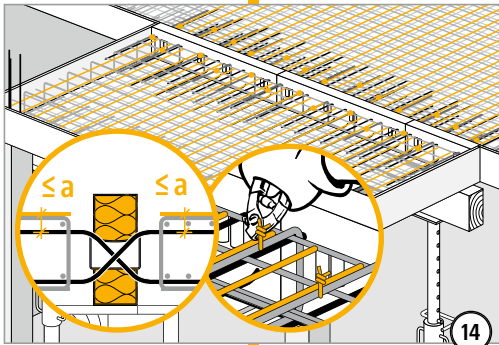
# Schöck Isokorb® Type CV Installation Manual



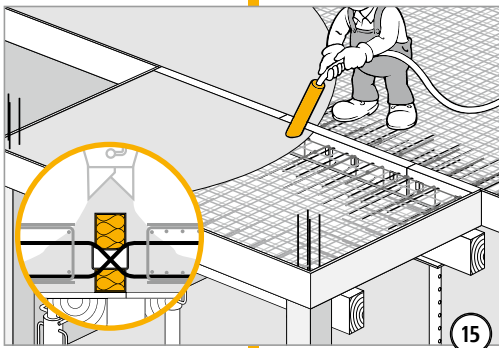
- ⑫ Properly connect the reinforcement with the Schöck Isokorb® tension bars on site.



- ⑬ Install the upper slab reinforcement on both sides of the Schöck Isokorb® Type CV according to the reinforcement layout provided by the structural engineer.



- ⑭ Properly connect the upper slab reinforcement with the Schöck Isokorb® tension bars on site.  
Maintain  $a$  = distance between the overlapping reinforcement and the Schöck Isokorb® Type CV tension bars as pictured.



- ⑮ Before placing the concrete, check for professional alignment of the Schöck Isokorb® Type CV and of the connecting reinforcement as well as the required concrete cover, in accordance with the design drawing of the structural engineer.  
To keep the Schöck Isokorb® component in place, ensure that the concrete is filled and compacted evenly on both sides.

It is of the utmost importance that the final supports are checked for sufficient stability BEFORE the temporary bracing under the balcony slab is removed!

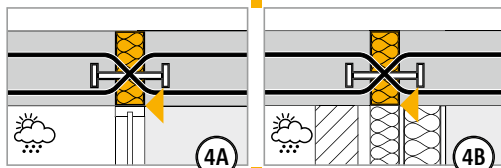
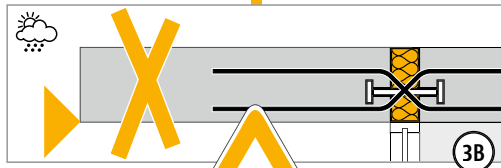
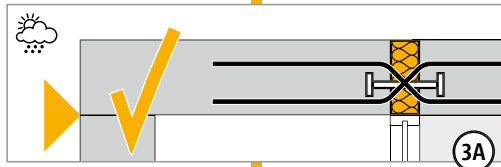
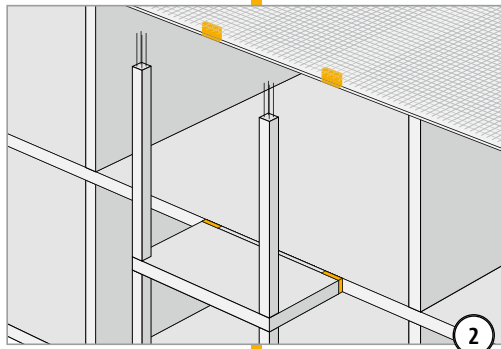
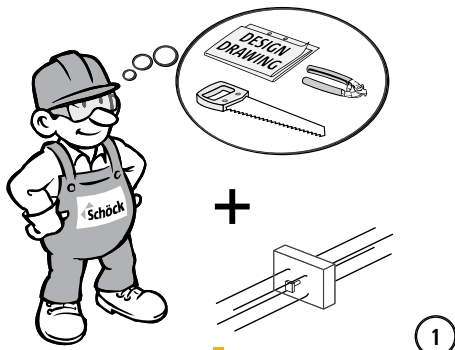


On-site modifications of the Isokorb impacts the safety of the product.



Do not modify the Schöck Isokorb® on site and do not cut or bent its rebars.

# Schöck Isokorb® Type CVB Installation Manual



① + ②

- ▶ Before installation, check products for conformity with purchase order.
- ▶ Check products for visible damages.
- ▶ Ensure that the materials required to install Schöck Isokorb® for the construction project are complete.

③ The following installation guidelines must be observed!

Image 3A: Schöck Isokorb® Type CVB must be installed in SUPPORTED balcony structures only. Keep the end of the balcony slab supported AT ALL TIMES during construction of the balcony but also in its final state.

④ Schöck Isokorb® Type CVB must be installed in accordance with the design drawings of the engineer only.

**Hazard due to balcony slab not being properly supported!**

If Schöck Isokorb® type CVB is used for free cantilevered balcony structures, the balcony slab will break off.

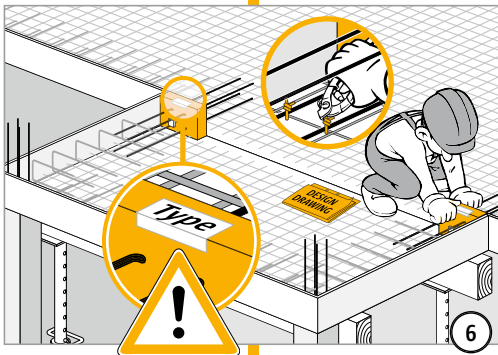
For free cantilevered balcony structures, use Schöck Isokorb® type CM or type CMD only.



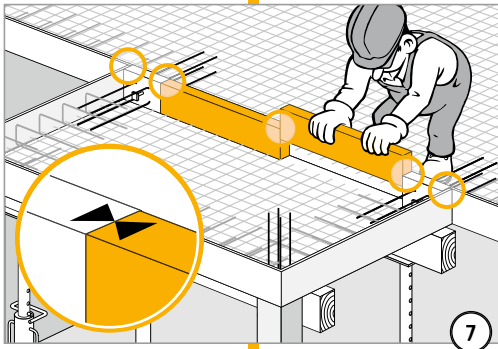
# Schöck Isokorb® Type CVB Installation Manual



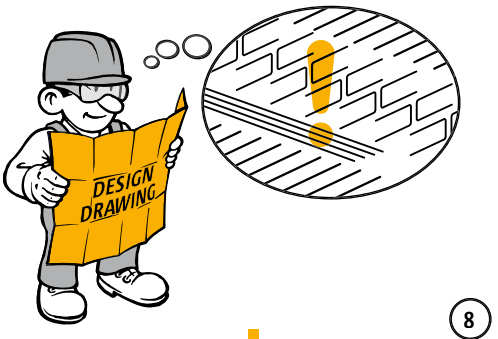
- ⑤ Install the lower slab reinforcement and edge brackets according to the design drawings provided by the structural engineer.



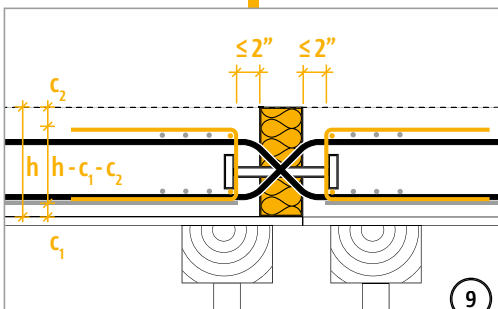
- ⑥ Before installing the Schöck Isokorb® Type CVB, compare its entire type designation with the design drawing of the respective balcony.



- ⑦ Install the thermal insulation strips between the Schöck Isokorb® Type CVB according to the implementation plan. All connection joints between Schöck Isokorb® Type CV components and adjacent thermal insulation strips or edge connections must be tight.

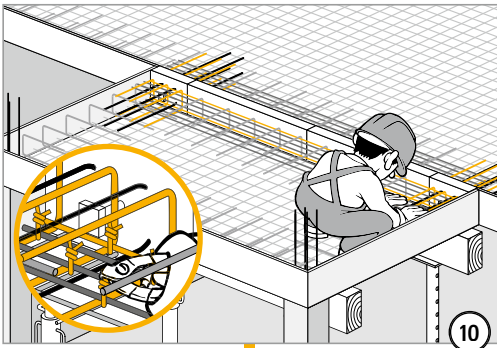


- ⑧ Ensure that any additional reinforcement required in compliance with the design drawing of the structural engineer is available on site.

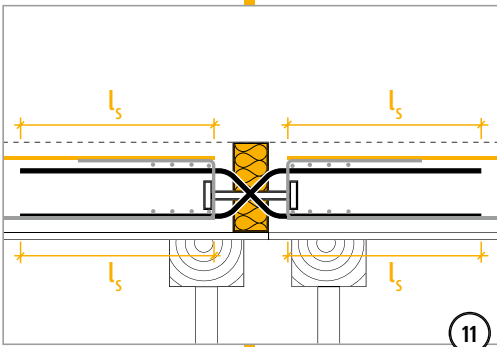


- ⑨ Install the connectors and longitudinal bars in the bracket corners along the Schöck Isokorb® Type CVB. Select the bar size and the positioning of connectors and longitudinal bars as defined by the structural engineer. If the bar size is not defined higher, select at least a minimum size of #3. Install the connectors with a spacing toward the Schöck Isokorb® Type CVB as pictured.

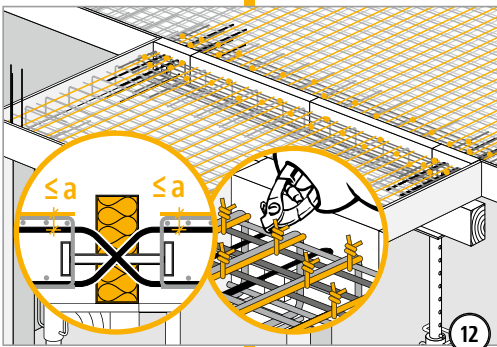
# Schöck Isokorb® Type CVB Installation Manual



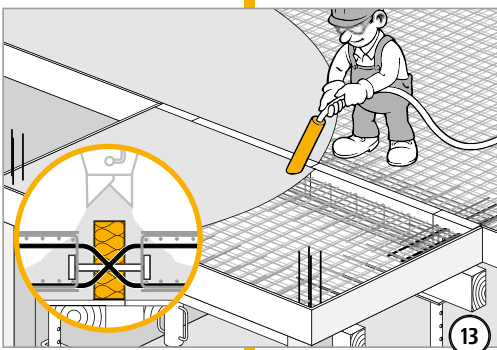
- ⑩ Properly connect the reinforcement with the Schöck Isokorb® tension bars on site.  
Install the longitudinal bars parallel to the Schöck Isokorb® Type CVB and along the entire length of the balcony.



- ⑪ Install the upper slab reinforcement according to the reinforcement layout provided by the structural engineer.



- ⑫ Properly connect the upper slab reinforcement with the Schöck Isokorb® tension rods on site.  
Maintain a  $\leq 0.2 \times l_s$  distance between the overlapping reinforcement and the Schöck Isokorb® Type CVB tension bars as pictured.



- ⑬ Before placing the concrete, check for professional alignment of the Schöck Isokorb® Type CVB and of the connecting reinforcement as well as the required concrete cover, in accordance with the design drawing of the structural engineer.  
To keep the Schöck Isokorb® component in place, ensure that the concrete is filled and compacted evenly on both sides.

- ▶ If the Schöck Isokorb® type CVB is installed, check the concrete for sufficient stability BEFORE removing the bracing from under the cantilevered balcony slab.
- ▶ It is of the utmost importance that the concrete is checked for sufficient stability BEFORE the bracing under the balcony slabs is removed!

It is of the utmost importance that the final supports are checked for sufficient stability BEFORE the temporary bracing under the balcony slab is removed!

It is of the utmost importance that the concrete is checked for sufficient stability BEFORE the temporary bracing under the balcony slab is removed!



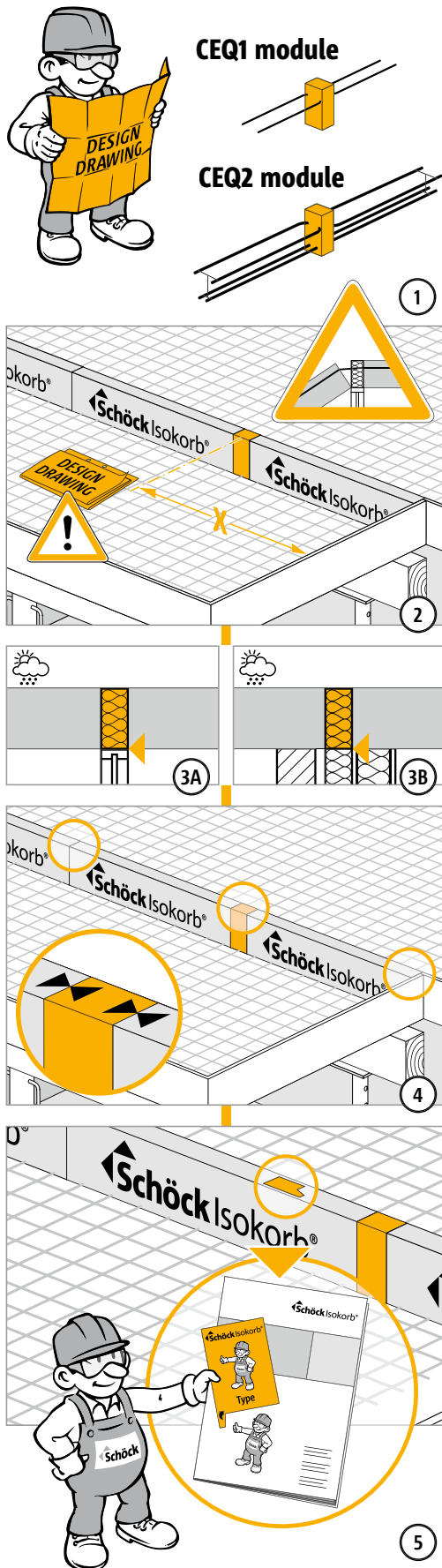
On-site modifications of the Isokorb impacts the safety of the product.



Do NOT modify the Schöck Isokorb® on site and do not cut or bent its rebars.



# Schöck Isokorb® Type CEQ Installation Manual



- ①
  - ▶ Before installation, check products for conformity with purchase order.
  - ▶ Check products for visible damages.
  - ▶ Ensure that the materials required to install Schöck Isokorb® for the construction project are complete.
- ② The Schöck Isokorb® Type CEQ module must be arranged between the Schöck Isokorb® basic types (CM, CMD, CV, CVB) according to the design drawing of the structural engineer.

The Schöck Isokorb® Type CEQ modules alone cannot transfer vertical balcony loads.

They must therefore always be combined with the basic Schöck Isokorb® types according to the design drawing.



- ③ The pictures exemplify the general position for installing the products within the insulation layer. How to the design drawing of the structural engineer for its definite position. Schöck Isokorb® Type CEQ module must be installed in accordance with the design drawings of the engineer only.
- ④ All connection joints between Schöck Isokorb® Type CEQ modules and adjacent Schöck Isokorb® basic types or edge connections must be tight.

- ⑤ Installation of Schöck Isokorb® basic types next to Schöck Isokorb® CEQ modules as well as the installation of on-site reinforcement must follow the relevant installation manuals for the basic Schöck Isokorb® types (CM, CMD, CV, CVB).

On-site modifications of the Isokorb impacts the safety of the product.



Do not modify the Schöck Isokorb® on site and do not cut or bent its rebars.

# Schöck Isokorb®

## Manufacturer's Limited Representations & Warranties

### MANUFACTURER'S LIMITED REPRESENTATIONS AND WARRANTIES

Schöck Bauteile GmbH  
Vimbucher Strasse 2  
D-76534 Baden-Baden  
Germany  
Phone: +49 (7223) 967-0  
Email: schoeck@schoeck.com  
Website: www.schoeck.de

These Representations and Warranties are applicable to all end-customers (the "Customers" and each, individually, a "Customer") purchasing products (the "Products") manufactured by Schöck Bauteile GmbH (the "Company").

#### 1. Warranty and Limitations:

1.1. Company warrants solely to the original purchaser of the Products that for the Warranty Period (as defined below), the Products will be free from defects in materials and workmanship under normal use, and will conform to Company's published specifications of the Products. Notwithstanding the foregoing, Company retains its right to deviate from its published specifications due to the latest innovations and improvements in function, design and materials of the Products. The foregoing warranty is subject to the proper storage, transportation, installation and use of the Products and does not include defects due to normal wear and tear or deterioration. Color deviations of the Products are technically inevitable and shall therefore be excluded from this warranty.

1.2. Upon delivery, Customer shall immediately inspect the Products for conformity and visible defects. Customer shall give Company immediate written notice of any non-conformities or visible defects regarding the Products and contact Company in writing concerning return or exchange, as the case may be.

1.3. Customer shall notify Company in writing of any defects of the Products. Company's sole obligation under the foregoing warranty is, at Company's discretion, to replace or exchange the Product or to refund the purchase price. Any replaced or exchanged Products shall be subject to the warranty set forth in 1.1., following the replacement or exchange. If Company has received notification from Customer, and no defects of the Product could be discovered, Customer shall bear the costs that Company incurred as a result of the notice.

1.4. With respect to orders made to custom, any defects of the Products caused by Customer's specifications are excluded from the warranty set forth in 1.1.

1.5. Company also makes no warranty that the Products manufactured under an order made to custom do not infringe the intellectual property or other proprietary rights of any third party and Customer is solely responsible for assuring that such Products do not so infringe.

1.6. The "Warranty Period" begins with the shipment, and continues to be in effect for thirty six (36) months.

1.7. Company does not authorize any person or party to assume or create for it any other obligation or liability in connection with the Products except as set forth herein.

# Schöck Isokorb®

## Manufacturer's Limited Representations & Warranties

1.8. All requests and notices under this Warranty shall be directed to:

Schöck Bauteile GmbH  
Attn. \_\_\_\_\_  
Vimbucher Strasse 2  
D-76534 Baden-Baden  
Germany

Phone: +49 (7223) 967-0  
Email: schoeck@schoeck.com

1.9. THE WARRANTY SET FORTH IN SECTION 1.1 IS MADE IN LIEU OF ALL OTHER WARRANTIES (WHETHER EXPRESS OR IMPLIED), RIGHTS OR CONDITIONS, AND CUSTOMER ACKNOWLEDGES THAT EXCEPT FOR SUCH LIMITED WARRANTY, THE PRODUCTS ARE PROVIDED "AS IS." COMPANY SPECIFICALLY DISCLAIMS, WITHOUT LIMITATION, ALL OTHER WARRANTIES, EXPRESS OR IMPLIED, OF ANY KIND, INCLUDING, WITHOUT LIMITATION, THE IMPLIED WARRANTIES OF MERCHANTABILITY AND FITNESS FOR A PARTICULAR PURPOSE, NON-INFRINGEMENT, AND THOSE WARRANTIES ARISING FROM A COURSE OF PERFORMANCE, A COURSE OF DEALING OR TRADE USAGE.

## 2. Limitation of Liability:

2.1. IN NO EVENT SHALL COMPANY BE LIABLE FOR ANY INDIRECT, INCIDENTAL, PUNITIVE, SPECIAL OR CONSEQUENTIAL DAMAGES, INCLUDING BUT NOT LIMITED TO, DAMAGES FOR LOSS OF PROFITS, REVENUE, GOODWILL OR USE, INCURRED BY CUSTOMER OR ANY THIRD PARTY, WHETHER IN AN ACTION IN CONTRACT, TORT, STRICT LIABILITY, OR IMPOSED BY STATUTE, OR OTHERWISE, EVEN IF ADVISED OF THE POSSIBILITY OF SUCH DAMAGES. COMPANY'S LIABILITY FOR DAMAGES ARISING OUT OF OR IN CONNECTION WITH THIS AGREEMENT SHALL IN NO EVENT EXCEED THE PURCHASE PRICE OF THE PRODUCTS. IT IS AGREED AND ACKNOWLEDGED THAT THE PROVISIONS OF THIS AGREEMENT ALLOCATE THE RISKS BETWEEN COMPANY AND CUSTOMER, THAT COMPANY'S PRICING REFLECTS THIS ALLOCATION OF RISK, AND BUT FOR THIS ALLOCATION AND LIMITATION OF LIABILITY, COMPANY WOULD NOT HAVE ENTERED INTO THIS AGREEMENT.

2.2. IN JURISDICTIONS THAT LIMIT THE SCOPE OF OR PRECLUDE LIMITATIONS OR EXCLUSION OF REMEDIES OR DAMAGES, OR OF LIABILITY, SUCH AS LIABILITY FOR GROSS NEGLIGENCE OR WILLFUL MISCONDUCT OR DO NOT ALLOW IMPLIED WARRANTIES TO BE EXCLUDED, THE LIMITATION OR EXCLUSION OF WARRANTIES, REMEDIES, DAMAGES OR LIABILITY SET FORTH ABOVE ARE INTENDED TO APPLY TO THE MAXIMUM EXTENT PERMITTED BY APPLICABLE LAW. CUSTOMER MAY ALSO HAVE OTHER RIGHTS THAT VARY BY STATE, COUNTRY OR OTHER JURISDICTION.

\*\*\*\*\*

# Schöck Isokorb®

## General Terms and Conditions of Sale and Delivery

Schöck USA Inc.  
100 Overlook Center, 2nd floor  
Princeton, NJ 08540  
USA  
Phone: +1 855 572 4625  
Email: info@schock-us.com  
Website: www.schock-us.com

These General Terms and Conditions of Sale and Delivery (these "Terms") are applicable to all U.S. customers (the "Customers" and each, individually, a "Customer") of Schöck USA, Inc., a Delaware corporation (the "Company").

### 1. Performance of Professional Services & Terms and Conditions of Sale and Delivery:

1.1. Company shall sell and deliver to Customer and/or perform professional services (the "Services") for Customer, and Customer shall purchase and accept from Company the products (herein, the "Products") or Services described on or in any confirmed order, agreement or quotation, or any combination thereof (the "Order"), pursuant to the terms and conditions of the Order and those specified below, which taken together shall constitute the entire agreement between Company and Customer regarding the Products and/or the Services (herein, this "Agreement").

1.2. No other terms or conditions shall be of any effect unless otherwise specifically agreed to by Company in a separate written agreement duly signed by an officer of the Company. Customer will be deemed to have assented to all Terms if any part of the Products is accepted by the Customer. If Customer finds any Term not acceptable, Customer must so notify the Company at once and must reject the Products or Services delivered or performed under this Agreement. Any additional or different terms or conditions contained in Customer's order or response hereto shall be deemed objected to by Company and shall be of no effect. No general terms and conditions of a Customer shall at any time form a part of the content of any contract or agreement between the Customer and the Company, even if they are not further expressly rejected by the Company.

1.3. Unless otherwise agreed in writing, all quotations for Products or Services are valid for a period of three (3) months from the date of issue. Subsequent modifications in quantity or quality, if such are requested by Customer, generally will cause a modification of the quoted price. Drawings and samples enclosed with any quotation remain the property of Company. All drawings and samples shall be treated confidentially by Customer and must be returned to Company after usage.

1.4. No Order is binding upon the Company until the earlier of acceptance of the Order in writing or the delivery of the Products to the Customer or the Performance of Services for the Customer. Notwithstanding any prior acceptance of an Order by Company, Company shall have no obligation if the Customer is in breach of any of its obligations hereunder, or any other agreement between the Customer and Company, at the time Company's performance was due.

1.5. All verbal agreements concerning the terms of any Order, including agreements made by telephone, shall have no force and effect unless and until acknowledged by the Company in writing. The term 'writing' shall include communication by telefax and email.

1.6. Customer shall bear all costs associated with the cancellation or modification of the Order.

### 2. Prices:

2.1. All price quotations are EX WORKS (per Incoterms 2010) from the facilities of Company's parent company Schöck Bauteile GmbH, located at Vimbacher Strasse 2, D-76534 Baden-Baden, Germany, and do not include costs for packaging, postage or other freight charges, insurance or taxes, if any.

2.2. The price of the Products and Services shall be the Company's current prices in effect from time to time. A price list is available on request.

2.3. Company may, without notice to Customer, increase the price of the Products by the amount of any new or increased tax or duty (excluding franchise, net income and excess profits taxes) which Company may be required to pay on the manufacture, sale, transportation, delivery, export, import or use of the Products or the materials required for their manufacture or which affects the cost of such materials or the performance of the Services.

### 3. Terms of Payment:

3.1. Unless otherwise agreed to in writing by the Company, fifty percent (50%) of the amount invoiced shall be due and payable prior to shipment of the Products and another fifty percent (50%) of the amount invoiced shall be due and payable within thirty (30) days following release of the Products from U.S. Customs and Border Protection. Customer shall make payments by check or wire transfer to the account indicated on the invoice, and the Company shall not be required to incur any expense to receive timely payment in full as required by this Agreement.

3.2. Company may, without notice, change or withdraw extensions of credit at any time. If Company ceases to extend credit terms before shipment, Customer's sole remedy shall be cancellation of its Order. If Customer does not receive notice before shipment, its sole remedy shall be rejection of the Products immediately upon delivery.

3.3. If the Customer fails to make payment on or before the date required, Customer shall pay interest to the Company at the rate of one point five percent (1.5%) per month or such lesser amount permitted by law. The specification or charging of interest shall not be deemed an agreement to extend credit.

3.4. If Customer fails to observe these Terms or the terms of any other agreements between Company and Customer, or if Customer becomes insolvent, all balances then due and owing to the Company shall become due immediately, notwithstanding any agreed upon payment periods. Any Orders that have been confirmed by the Company, but not yet filled, shall in such cases become cancelable at the sole discretion of Company.

3.5. Customer does not enjoy a right of set-off under any circumstances.

### 4. Delivery Terms:

4.1. Except as otherwise specified in this Agreement, the Products shall be delivered EX WORKS (per Incoterms 2010) from the facilities of Company's German parent company Schöck Bauteile GmbH located at Vimbacher Strasse 2, D-76534 Baden-Baden, Germany. Title to and risk of loss for the Products shall pass to Customer upon delivery thereof to Customer at Schöck Bauteile GmbH's facilities.

4.2. Company shall use its reasonable efforts to deliver the Products to, and perform the Services for, Customer by the agreed upon date, however, time shall not be of the essence. Except in cases of Company's willful misconduct or gross negligence, Company shall not be liable to Customer for delays in delivery or performance or damage to the Products while in transit, irrespective of whether Company or Customer determined the mode of transportation.

4.3. The Products shall only be delivered on the basis of verified statics and plans provided by the Customer's Professional Engineer (PE) or the Engineer of Record (EOR). The Company shall keep the foregoing information confidential and shall use it only for the purpose set forth in the Order.

4.4. In cases of deliveries of Products manufactured to Customer's specification ("Special Orders") and unless otherwise agreed to in writing, all tools, models, plans, blueprints or other devices and/or documents used and/or developed by Company (the "Tools") in order to fulfill any Order or Special Order are the property of the Company, even if the cost of development and/or manufacturing of such tools, models, plans, blueprints or other devices and/or documents was wholly or partially borne by the Customer.

### 5. Security Interest:

5.1. As security for the timely payment and performance of all Customer's indebtedness to Company, Customer hereby grants to the Company a first priority security interest in the Products following delivery thereof to Customer ("Collateral"). Such interest shall remain in force until payment in full of the entire purchase price for the Products and any other amounts due to the Company by Customer.

# Schöck Isokorb®

## General Terms and Conditions of Sale and Delivery

5.2. Customer hereby expressly authorizes Company to file a UCC Financing Statement to establish, perfect, preserve and protect Company's security interest in the Collateral as a legal, valid and enforceable security interest and lien. Customer shall cooperate in the respective filings and registrations which are required according to applicable local laws for an effective protection of Company's claim for payment of the Products, including, without limitation, any required documentation duly filed under the UCC in all jurisdictions necessary.

### 6. Independent Contractor:

6.1. Company represents that it is free to enter into this Agreement and that this engagement does not violate the terms of any Agreement between Company and any third party. This is a non-exclusive Agreement. Company is expressly free without restriction to contract with and perform services for other parties or companies, no matter their business, while performing services for Customer.

6.2. This Agreement shall not render Company an employee, partner, agent of, or joint venture partner with Customer for any purpose. Company and will remain an independent contractor in its relationship with Customer. Customer shall not be responsible for withholding taxes with respect to Company's compensation hereunder.

### 7. Confidentiality:

6.1. Customer, its representatives, employees or any other person which is directly or indirectly related to (the "Customer's Representatives"), shall not use or communicate to third parties any trade secrets or know-how or any proprietary information relating to the Services performed, if any, and the internal affairs of Company, in particular, confidential matters of which Customer or Customer's Representatives become aware during their activities on behalf of the Company, even after the expiration of this Agreement. Notwithstanding the foregoing, excluded from the above restrictions is any disclosure of confidential matters (i) that can be demonstrated to have been in the public domain prior to any disclosure of such information by Customer or Customer's Representatives, whether directly or indirectly; (ii) that becomes part of the public domain by publication or otherwise through no fault or negligence on the part of Customer or Customer's Representatives; or (iii) that is disclosed pursuant to a requirement of a governmental agency or as is required by operation of law. The terms 'trade secrets', 'know-how' or 'proprietary information', as used in this section, shall include, but not be limited to, architectural design and construction plans, statics, construction materials, construction methods, data bases, technical data, documentation, as well as customer information, sales and marketing methods and strategies and other internal information of the Company and its subcontractors (hereinafter collectively referred to as "Confidential Information"). Such Confidential Information remains the property of Company. Customer shall not copy such Confidential Information, unless approved in writing by Company. Customer shall instruct Customer's Representatives to adhere to the terms and conditions of this provision.

### 8. Limitation of Liability:

8.1. COMPANY'S STANDARD OF CARE FOR ALL SERVICES PERFORMED PURSUANT TO THIS AGREEMENT SHALL BE THE CARE AND SKILL ORDINARILY USED BY MEMBERS OF THE PROFESSION PRACTICING UNDER SIMILAR CONDITIONS AT THE SAME TIME AND LOCALITY OF THE PROJECT THAT IS SUBJECT TO THIS AGREEMENT.

8.2. IN NO EVENT SHALL COMPANY BE LIABLE FOR ANY INDIRECT, INCIDENTAL, PUNITIVE, SPECIAL OR CONSEQUENTIAL DAMAGES, INCLUDING BUT NOT LIMITED TO, DAMAGES FOR LOSS OF PROFITS, REVENUE, GOODWILL OR USE, INCURRED BY CUSTOMER OR ANY THIRD PARTY, WHETHER IN AN ACTION IN CONTRACT, TORT, STRICT LIABILITY, OR IMPOSED BY STATUTE, OR OTHERWISE, EVEN IF ADVISED OF THE POSSIBILITY OF SUCH DAMAGES.

8.3. NOTWITHSTANDING THE TERMS AND CONDITIONS SET FORTH IN SECTION 8.1., COMPANY'S LIABILITY – WHETHER BASED UPON CONTRACT, TORT, EQUITY, NEGLIGENCE OR ANY OTHER LEGAL CONCEPT – SHALL IN NO EVENT EXCEED THE VALUE OF CUSTOMER'S ORDER, AS DESCRIBED ON THE ORDER FORM, OR THE ORDER VALUE FOR (1) CALENDAR YEAR, WHICHEVER AMOUNT IS LOWER. IT IS AGREED AND ACKNOWLEDGED THAT THE PROVISIONS OF THIS AGREEMENT ALLOCATE THE RISKS BETWEEN COMPANY AND CUSTOMER, THAT COMPANY'S PRICING REFLECTS THIS ALLOCATION OF RISK, AND BUT FOR THIS ALLOCATION AND LIMITATION OF LIABILITY, COMPANY WOULD NOT HAVE ENTERED INTO THIS AGREEMENT.

8.4. IN JURISDICTIONS THAT LIMIT THE SCOPE OF OR PRECLUDE LIMITATIONS OR EXCLUSION OF REMEDIES OR DAMAGES, OR OF LIABILITY, SUCH AS LIABILITY FOR GROSS NEGLIGENCE OR WILLFUL MISCONDUCT OR DO NOT ALLOW IMPLIED WARRANTIES TO BE EXCLUDED, THE LIMITATION OR EXCLUSION OF WARRANTIES, REMEDIES, DAMAGES OR LIABILITY SET FORTH ABOVE ARE INTENDED TO APPLY TO THE MAXIMUM EXTENT PERMITTED BY APPLICABLE LAW. CUSTOMER MAY ALSO HAVE OTHER RIGHTS THAT VARY BY STATE, COUNTRY OR OTHER JURISDICTION.

### 9. Force Majeure:

9.1. Company shall not be liable to Customer or any other person for any failure or delay in the performance of any obligation under this Agreement due to events beyond its reasonable control, including, but not limited to, fire, storm, flood, earthquake, explosion, accident, acts of the public enemy, wars, riots and public disorder, sabotage, strikes, lockouts, labor disputes, labor shortages, work slowdown, stoppages or delays, shortages or failures or delays of energy, materials, supplies or equipment, transportation embargoes or delays, acts of God, breakdown in machinery or equipment, and, except as otherwise set forth in this Agreement, acts or regulations or priorities of the federal, state or local governments.

9.2. Customer shall not be liable to Company or any other person for any failure or delay in the performance of any obligation under this Agreement due to events beyond its reasonable control, including, but not limited to, fire, storm, flood, earthquake, explosion, accident, acts of the public enemy, wars, riots and public disorder, sabotage, strikes, lockouts, labor disputes, labor shortages, work slowdown, stoppages or delays, shortages or failures or delays of energy, materials, supplies or equipment, transportation embargoes or delays, acts of God, breakdown in machinery or equipment, and, except as otherwise set forth in this Agreement, acts or regulations or priorities of the federal, state or local governments.

9.3. When the event operating to excuse performance by either party shall cease, this Agreement shall continue in full force until all deliveries have been completed.

### 10. Miscellaneous Terms:

10.1. This Agreement and all claims arising out of or related to this Agreement, including tort claims, shall be governed by and construed in accordance with the laws of the State of New York, without giving effect to any choice or conflict of law provision or rule that would cause the application of the laws of any jurisdiction other than New York. The application of the Convention on Contracts for the International Sale of Goods (CISG) is hereby excluded.

10.2. Any controversy or claim arising out of or relating to this Agreement, or the negotiation or breach thereof, shall be exclusively settled by arbitration in accordance with the International Arbitration Rules of the American Arbitration Association ("AAA"). The award shall be final and binding. Judgment upon the award rendered by the arbitrator or the arbitrators may be entered in any court having jurisdiction thereof. The arbitration shall be held in New York, New York, shall be conducted in the English language, and shall be conducted (i) if the amount in dispute is less than two hundred fifty thousand dollars (\$250,000), before a single arbitrator mutually agreeable to Company and Customer, or if no agreement can be reached, then selected by the AAA, or (ii) if the amount in dispute is two hundred fifty thousand dollars (\$250,000) or more, before three (3) arbitrators. The arbitrator(s) shall make detailed findings of fact and law in writing in support of his, her or their decision, and shall award reimbursement of attorney's fees and other costs of arbitration to the prevailing party, in such manner as the arbitrator shall deem appropriate.

10.3. If any provision contained in this Agreement is held by final judgment of a court of competent jurisdiction to be invalid, illegal or unenforceable, such invalid, illegal or unenforceable provision shall be severed from the remainder of this Agreement, and the remainder of this Agreement shall be enforced. In addition, the invalid, illegal or unenforceable provision shall be deemed to be automatically modified, and, as so modified, to be included in this Agreement, such modification being made to the minimum extent necessary to render the provision valid, legal and enforceable. Notwithstanding the foregoing, however, if the severed or modified provision concerns all or a portion of the essential consideration to be delivered under this Agreement by one party to the other, the remaining provisions of this Agreement shall also be modified to the extent necessary to equitably adjust the parties' respective rights and obligations hereunder.

10.4. In the event of a violation or threatened violation of Company's proprietary rights, Company shall have the right, in addition to such other remedies as may be available pursuant to law or this Agreement, to temporary or permanent injunctive relief enjoining such act or threatened act. The parties acknowledge and agree that legal remedies for such violations or threatened violations are inadequate and that Company would suffer irreparable harm.

10.5. The parties hereto are independent contractors and nothing in this Agreement will be construed as creating a joint venture, employment or agency relationship between the parties.

10.6. This Agreement shall apply to all sales of the Products and performance of the Services for Customer.

10.7. This Agreement contains the entire agreement of the parties with respect to the subject matter of this Agreement, and supersedes all prior agreements between them, whether oral or written, of any nature whatsoever with respect to the subject matter hereof. This Agreement is binding upon the parties hereto, their successors and permitted assigns.

# Schöck Isokorb®

## Index

### B

bolt 12, 15, 16

### C

cantilevered balcony 21, 25, 26, 30, 32

cast-in-place concrete strip 17

check mark 13

C-line 11, 13

Component 3, 11, 12, 13

compression 13

Concrete 11

Concrete Slabs 11

Conditions 3, 36, 37

connecting 15, 21, 25, 29, 32

Contents 3

cover 6, 21, 25, 29, 32

crane 5

cutter 6

cutting 19, 23, 27

### D

Delivery 3, 5, 36, 37

designation 12, 13, 20, 23, 28, 31

design drawing 14, 17, 19, 20, 21, 22, 23, 24, 25, 27, 28, 29, 31, 32, 33

### E

end plate 12

equipment 37

### F

forklift 5

### H

Handling 3, 8

holding 8

hotline 1

### I

installing 4, 6, 14, 17, 20, 22, 23, 28, 31, 33

insulation 4, 6, 14, 17, 20, 22, 23, 28, 31, 33

### L

Lifting 8

### M

Manual 1, 11, 14

materials 14, 17, 22, 26, 30, 33, 34, 36, 37

modifications 21, 25, 29, 32, 33, 36

moisture 5, 9

### N

Neopor® 12

nut 12, 16

### O

overlapping reinforcement 21, 25, 29, 32

### P

Packaging Foil 6

packing set 7

Pallets 3, 5, 6, 7, 9

paperboard 12

Personnel 3, 10

pressure joint 17

protection 9, 36

protective 6, 7, 9, 12

### Q

Qualification 3, 10

### R

Representations 3, 34, 35

### S

Safety 3, 4

semi-finished ceiling component 17

Shear force bar 13

sliding film 12

S-line 11, 12

slope 17

Sorting 3, 8

steel beam 15, 16

sticker 12, 13

Storage 3, 5, 9

strap 6, 7

sun light 5, 9

SUPPORTED balcony 26, 30

### T

tension bars 18, 20, 21, 24, 25, 29, 32

Terms 3, 36, 37

tools 6, 36

TOP FACE 13, 20

torque 12, 15, 16

torque wrench 15, 16

type 14, 17, 19, 20, 21, 23, 25, 26, 27, 28, 30, 31, 32

Type CEQ 14, 17, 19, 20, 21, 23, 25, 26, 27, 28, 30, 31, 32

Type CM 14, 17, 19, 20, 21, 23, 25, 26, 27, 28, 30, 31, 32

Type CMD 14, 17, 19, 20, 21, 23, 25, 26, 27, 28, 30, 31, 32

Type CV 14, 17, 19, 20, 21, 23, 25, 26, 27, 28, 30, 31, 32

Type CVB 30, 31, 32

Type S22 14, 14-40, 14-40, 14-40, 15, 15-40, 15-40, 15-40, 16,

16-40, 16-40, 16-40

### U

unloading 4

Unpacking 3, 6, 7

### V

value sticker 12

### W

WARRANTIES 34, 35, 37

washer 12

wooden packing set 7

## Imprint

**Publisher:** Schöck USA Inc.  
100 Overlook Center, 2nd floor  
Princeton, NJ 08540  
Tel.: +1 855 572 4625 / +1 855 5 Schöck  
info@schock-us.com  
www.schock-us.com

**Release date:** 2012 December  
**Copyright:** © 2012, Schöck USA Inc.

Schöck USA Inc.  
100 Overlook Center, 2nd floor  
Princeton, NJ 08540  
Tel.: +1 855 572 4625 / +1 855 5 Schöck  
info@schock-us.com  
www.schock-us.com

